

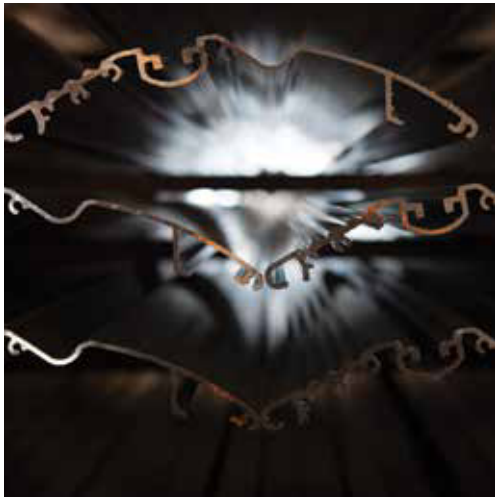


O MEGA
WINDOWS + DOORS

Innovating by Design



COMPANY PROFILE



Omega Windows and Doors was established in 1978 and acquired by McKechnie Aluminium Solutions in 2012, their long serving primary extrusion supplier. Omega rapidly developed a reputation for quality and elegance in aluminium joinery. Under the McKechnie ownership, Omega has invested further in the design and development of its products.

Omega's innovative designs provide you, with unparalleled style and performance. Beautiful, secure, and environmentally sustainable, are not just catch phrases to us; they are fundamental to the Omega brand. The Omega product range is aesthetically pleasing and exceptionally functional. Our systems are the benchmark in windows and doors offering unparalleled value.

Omega can also satisfy your commercial building requirements, with multiple options to suit your individual project. We have a team of design and technical experts available to work together with you to meet your specific needs.

MCKECHNIE ALUMINIUM SOLUTIONS



As pioneers of the aluminium extrusion process in New Zealand, operations began here in 1951. McKechnie has continually adopted advances in the technology and manufacturing processes. This commitment to leadership, allied to advances in metallurgy, has seen McKechnie's products continue to enhance McKechnie's reputation for excellence across every function.

McKechnie proudly continues to operate from its New Zealand base in New Plymouth. This operation includes the Remelt Casthouse, Extrusion, Fabrication, Anodising and Powder Coating Finishing facilities. With their culture of advanced thinking and design innovations, when it comes to transforming aluminium, anything is possible with McKechnie.

ENVIRONMENTAL RESPONSIBILITY



Quality
ISO 9001



Environment
ISO 14001



McKechnie has a strong commitment to the environment and actively promotes internal recycling and resource responsibility programs. These initiatives have contributed to McKechnie being awarded Enviro-Mark® Diamond level certification and receiving AS/NZS ISO 14001 international certification for their environmental management systems.

McKechnie Aluminium is firmly committed to a long term environmental and sustainable future for the benefit of a cleaner and greener New Zealand.

We actively participate in the protection of our wider environment through ongoing landscape planting and constant monitoring of stormwater discharges to our major water catchments.

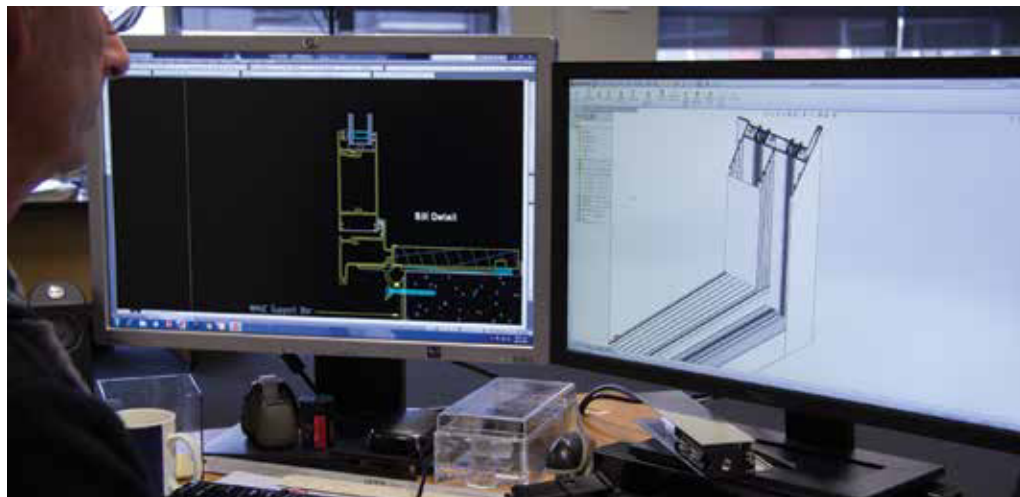
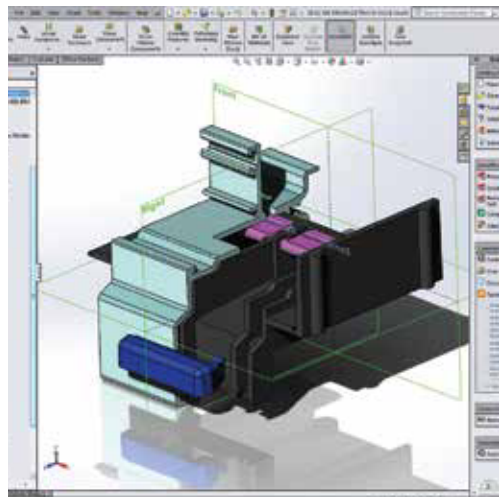
OMEGA INTEGRATED MANUFACTURING



All processes are in house from design concept to finished product.

- Design and Development
- Remelt Casthouse
- Extrusion
- Structural Weather Testing, Cycle Testing and accelerated corrosion testing
- Anodising and Powder Coating
- Distribution

DESIGN & DEVELOPMENT



Our design team has many years experience in the designing of aluminium extrusions in the Windows and Doors industry. Combining their years of experience with state of the art technology Omega produce some of the best products in the market.

Prototypes can be produced using 3D printing to ensure finished products are functional and aesthetically pleasing.

By working closely with our customers Omega have products which are both high performing but simple to fabricate and install. Omega makes use of the latest technology with advanced software which is used for estimating cost of projects and efficient manufacture of window and door products.

REMELT CASTHOUSE



McKechnie operate New Zealand's only remelt casthouse which offers us two significant advantages.

- We have total control of the casting process important for ensuring consistency in the quality of aluminium logs we produce for extrusion.
- By using mainly recyclable aluminium scrap from our own manufacturing process and scrap sourced from other New Zealand extruders, we are doing our bit to save the environment.

Onsite recycling of scrap aluminium uses only 5% of the energy used to produce alumina, and significantly reduces the carbon footprint of importing aluminium logs and exporting scrap.

EXTRUSION MILL



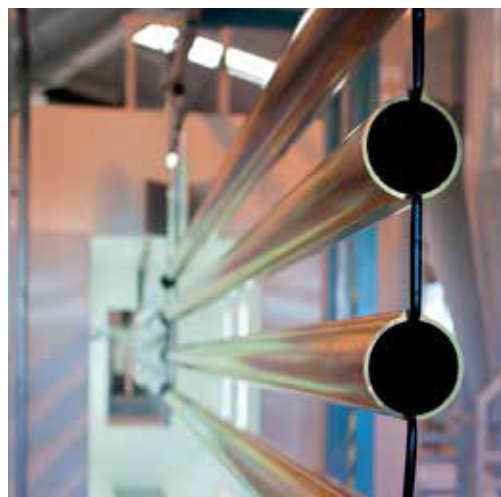
Being New Zealand's first extruder, McKechnie Aluminium prides itself in providing quality extrusion to the market. Our three presses are well maintained and provide the most comprehensive options for extrusion in New Zealand.

Three direct type extrusion presses:

1 x 9 inch press (2,400 ton press), primarily utilised for solid profiles and general structural profiles for the building and heavy industrial applications. This is the largest extrusion press in New Zealand.

2 x 7 inch press (1,800 ton capacity press), primarily utilised for architectural section applications.

POWDER COATING



Our state of the art powder coating facility which was commissioned in 2009 is one of the best in Australasia offering superior finish.

Our innovation program is designed to provide solutions to the ever changing coating needs of our consumers, customers, markets and the environment.

Powder coating is a dry finishing process. Finely ground particles of pigment and resin are electro-statically charged and sprayed onto the joinery sections to be coated.

These sections are then baked in an oven until the powder is fully cured.

ANODISING

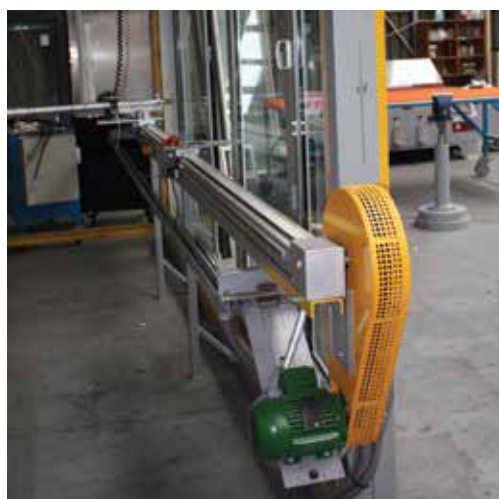


Anodising is a durable and hard wearing finish offering maximum protection in harsh environments. A range of colours and micron (7-25µm) finishes are offered to ensure you achieve the desired look.

Our Niche anodised finish uses a process of acid etching to give you a more uniform matt look to all visible aluminium surfaces.

- Provides a premium matt finish
- Reduces die lines
- Smooths surface defects
- Environmentally friendlier than regular anodising
- Available in Natural, Bronze and Black finishes

RESEARCH & DEVELOPMENT **TESTING**



Omega have one of the most comprehensive test facilities in the industry. From our dedicated R&D building all aspects of the product can be tested:

- Test booth for wind, air infiltration and water penetration.
- Cycle testing of hardware.
- Torsion testing of sashes.
- Load testing of hardware.
- Corrosion testing of components.

FABRICATOR NETWORK



Omega is represented throughout New Zealand and the South Pacific by locally owned and operated independent window and door fabrication businesses.

These fabricators assemble the components to create your individual windows.

Their local knowledge of weather conditions and requirements gives them the edge when it comes to professional advice.

Strict technical instructions on fabrication methods ensure standards are of the highest levels.

RESIDENTIAL **HOMES**



Omega have a comprehensive range of window and door systems designed for modern living and demanding weather conditions. Whether you are renovating an existing home or building a new one we have the aluminium window solution for you.

- Awning Windows
 - Casement Windows
 - Bifold Windows & Doors
 - Sliding Windows & Doors
 - Stacking Windows & Doors
 - Hinged & Entrance Doors
 - Balustrade Systems
-



HARDWARE



We are partnering with some of New Zealand's leading hardware suppliers to bring you a range of hardware and components that is most suitable for our environmental conditions.

The hardware can be colour matched to the powder coated extrusions to ensure optimum colour integration.

EDGE
hardware by **OMEGA**

Omega have also designed and developed some propriety hardware for critical applications.

COMMERCIAL INSTALLATIONS



Omega Windows and Doors has a large range of commercial aluminium joinery suites available from our 40mm commercial suite up to our 200mm front glazed suites.

We regularly supply commercial aluminium joinery solutions to customers across the Pacific and also Australia.

For larger commercial projects a suite can be designed to specifically meet the requirements of your customer, for example, curtain wall systems.

We have a team of designers and technical experts available to work with you to help meet your specific needs.

WANZ ASSOCIATION



The prime objective of the Window Association of New Zealand is to establish and maintain the highest possible degree of industry-wide quality and performance.

Windows and doors, including all their component parts, manufactured by members of the Association must comply with all the relevant mandatory standards.

Major achievements of the Association have been the incremental development of a world-class industry, developing window performance specifications, adopting, promoting and contributing to appropriate international standards

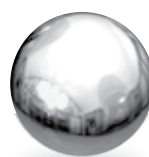




For enquiries, please call customer services on:

Free Phone: 0800 500 141
info@omegawindows.co.nz

www.omegawindows.co.nz



McKechnie
Transforming Aluminium

www.mckechnie.co.nz