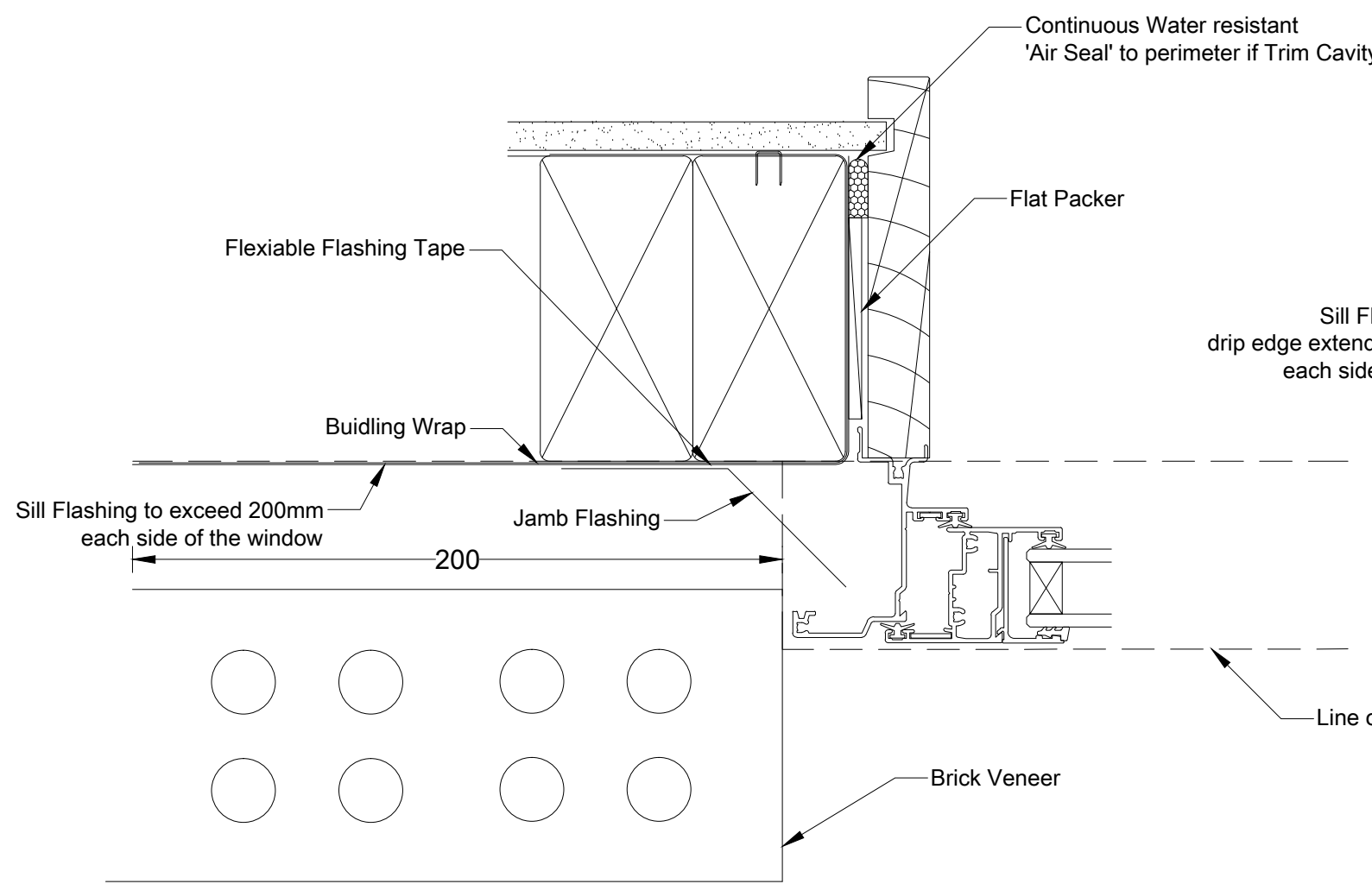
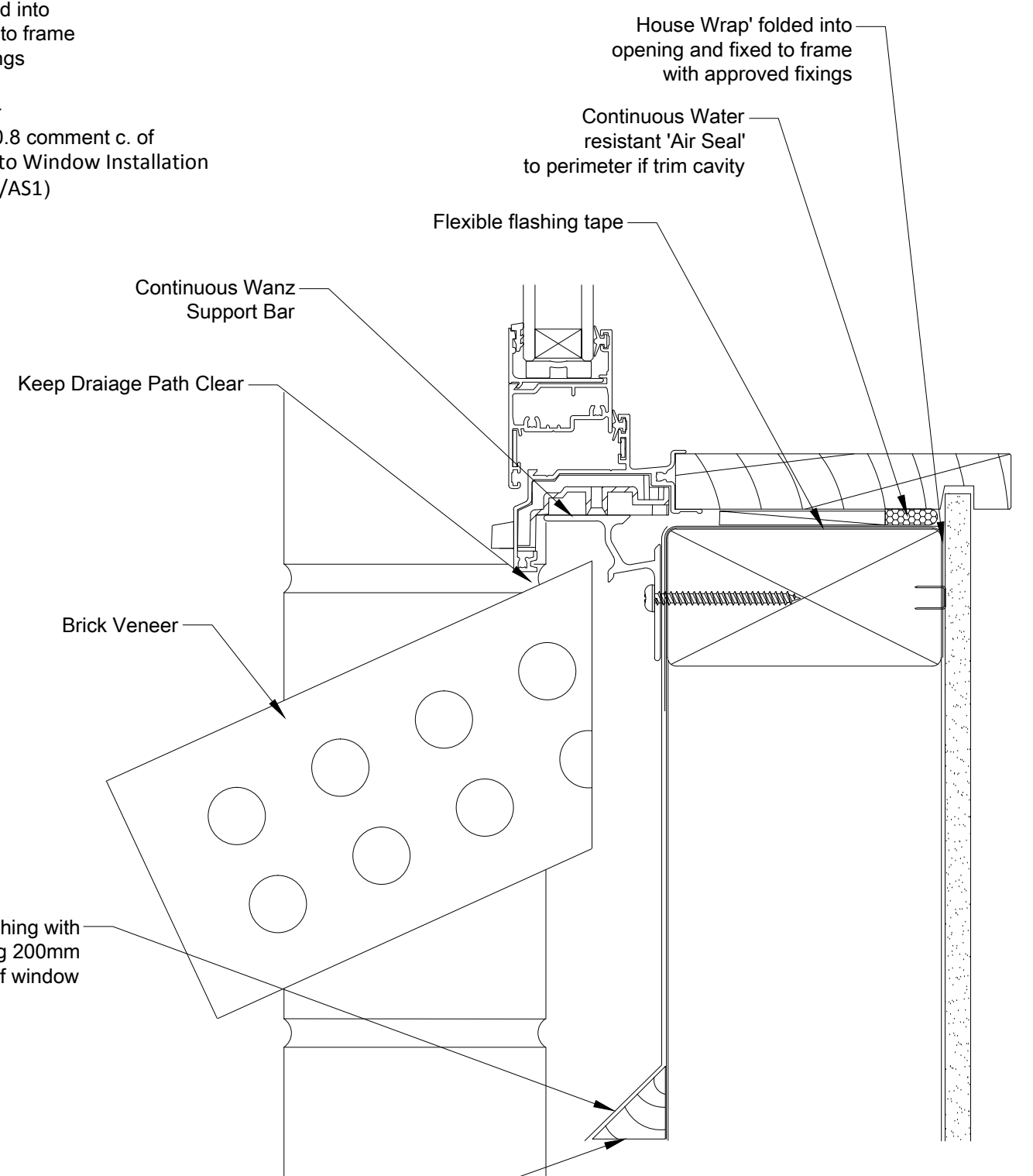


**Head Detail**



**Jamb Detail**



**Sill Detail**

DATE:  
07/04/2015

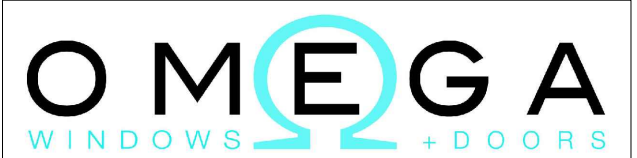
SCALE:  
1:2 @ A3

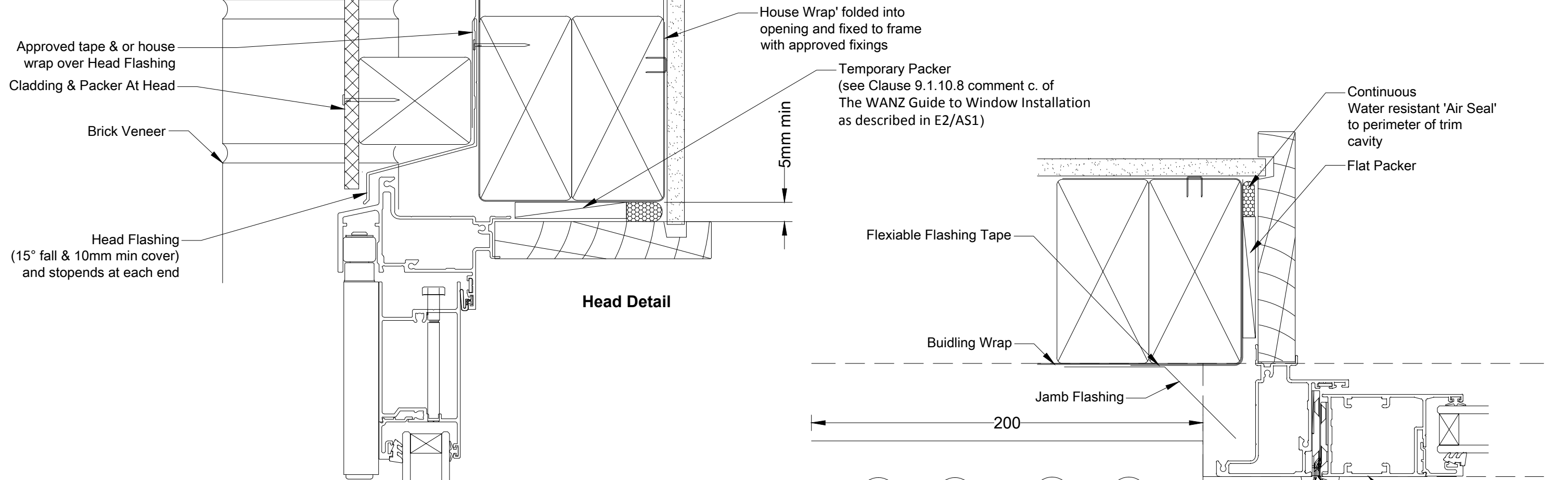
ISSUE:  
No: 002

**WANZ WIS CAVITY CONSTRUCTION  
BRICK VENEER - AWNING WINDOW**

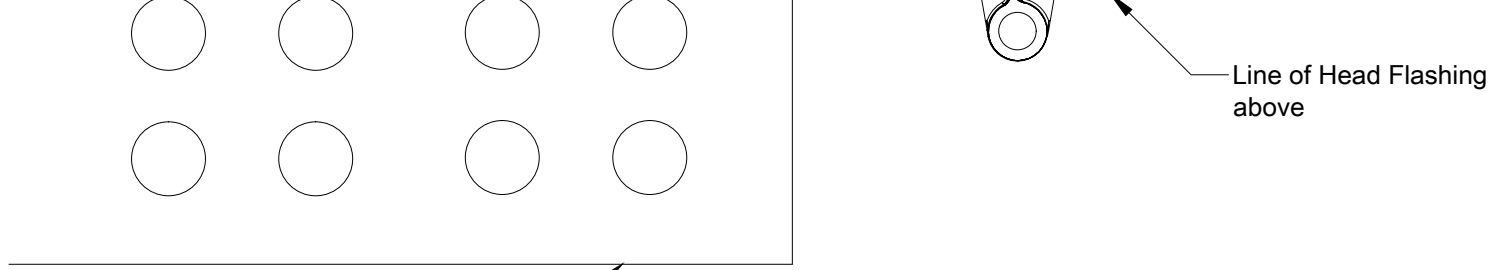
Page : ccBVaw

OMEGA Windows & Doors Ltd.  
36 Paraita Road, Bell Block  
Private Bag 2007  
New Plymouth 4342  
TEL: 0800 500 141  
FAX: +64 6 755 9381  
www.omegawindows.co.nz

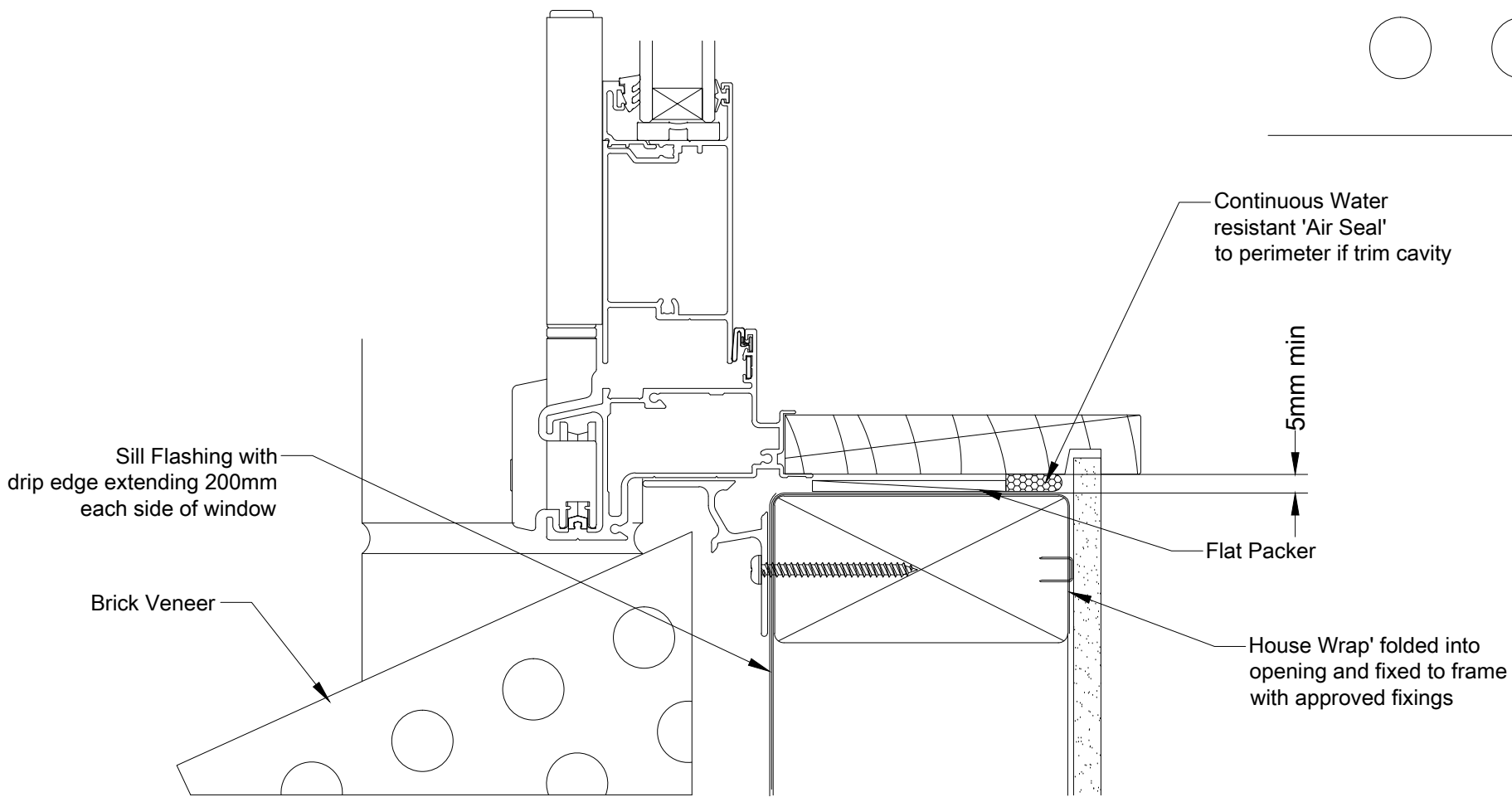




**Head Detail**



**Jamb Detail**

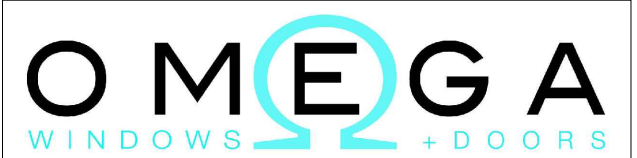


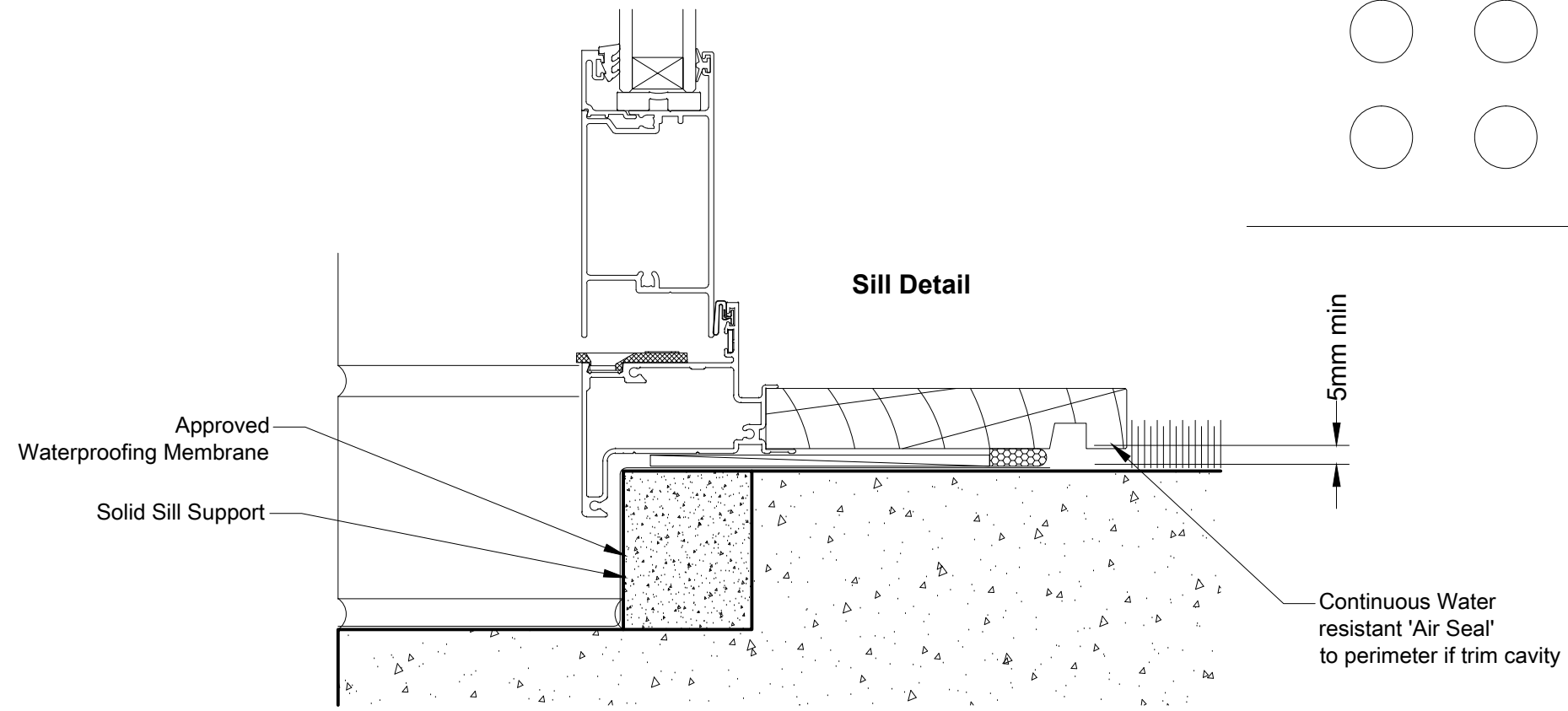
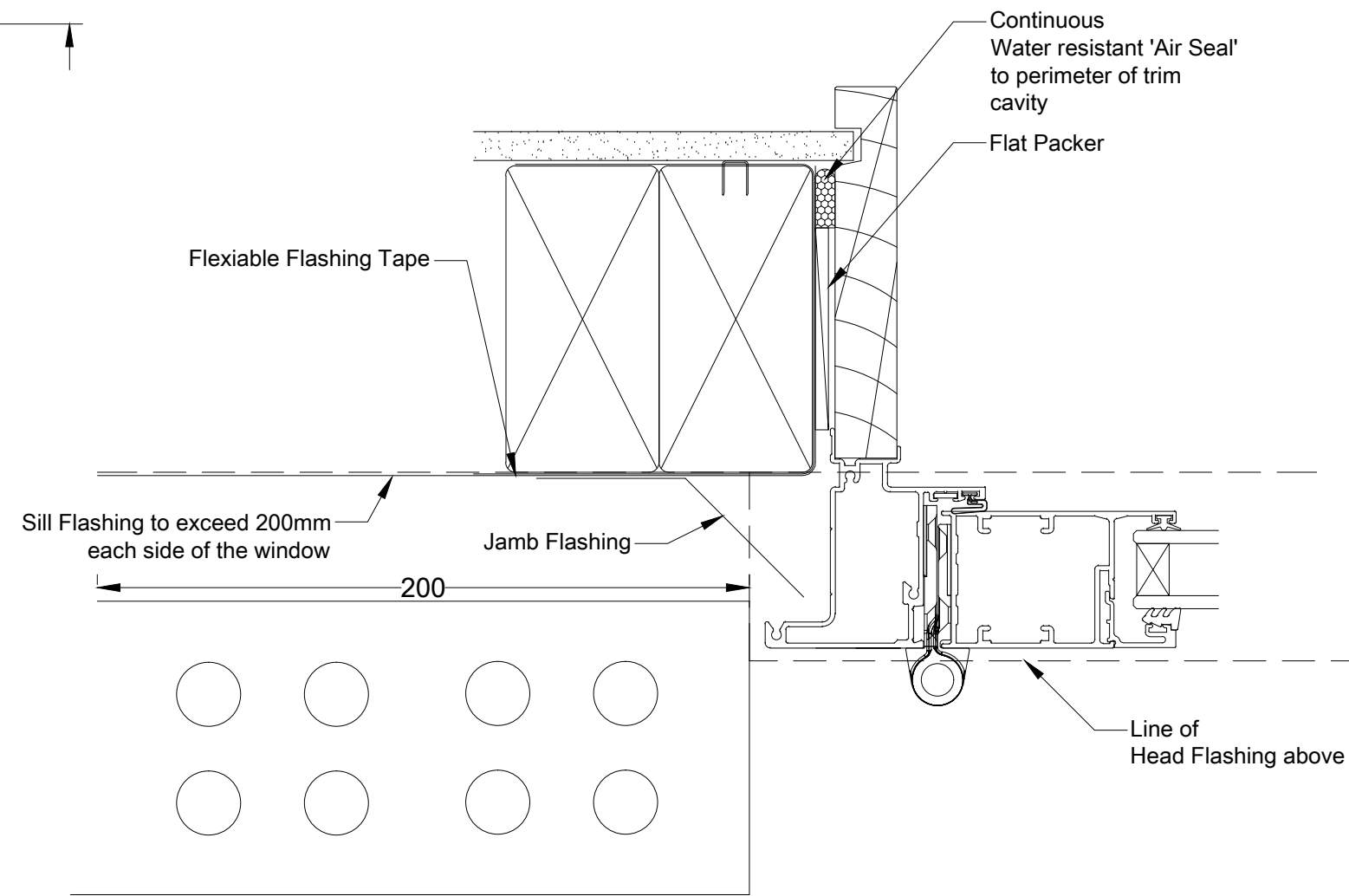
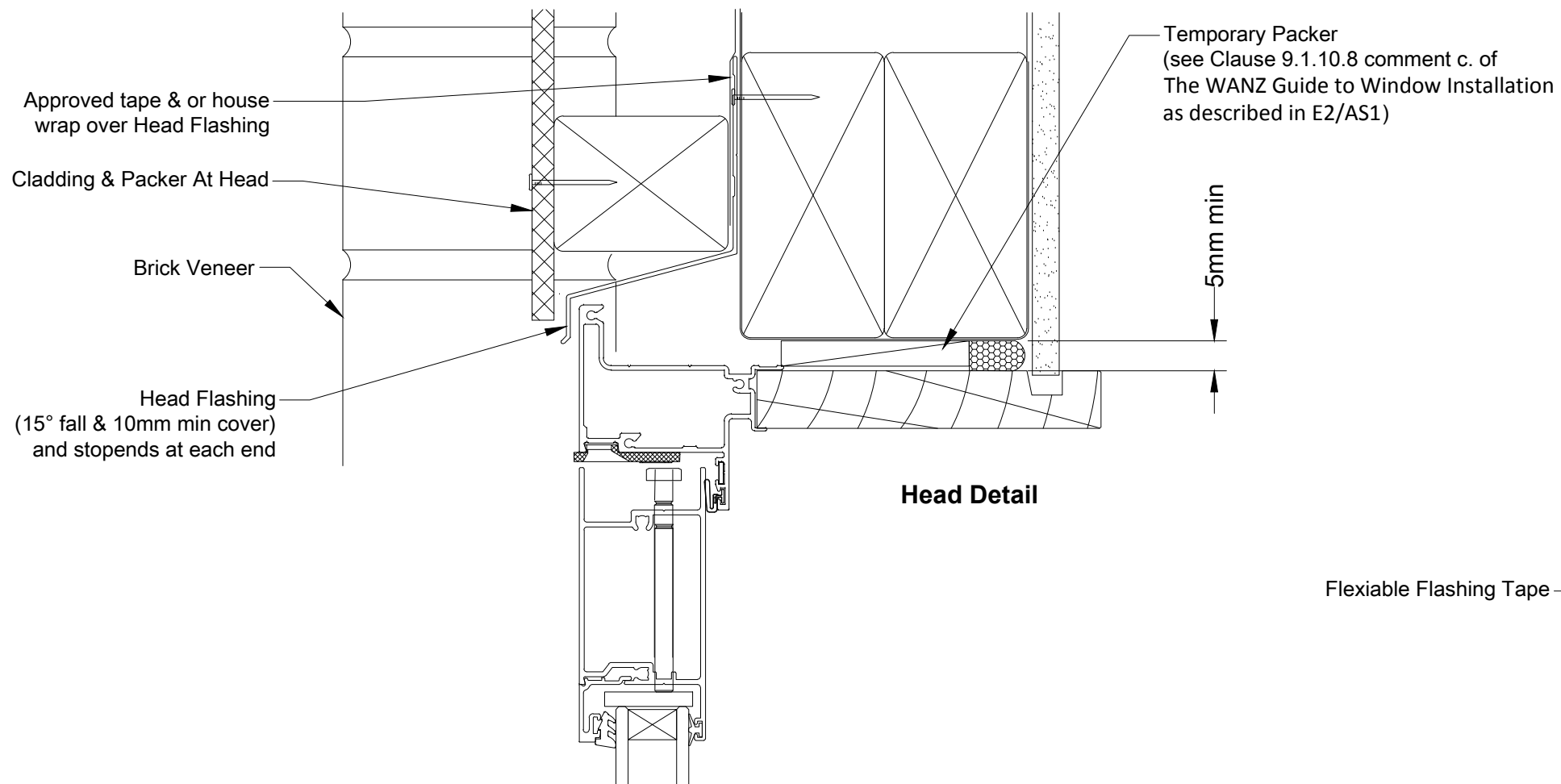
DATE:  
07/04/2015  
SCALE:  
1:2 @ A3  
ISSUE:  
No: 002

**WANZ WIS CAVITY CONSTRUCTION  
BRICK VENEER - BI FOLD WINDOW**

Page : ccBVbw

OMEGA Windows & Doors Ltd.  
36 Paraita Road, Bell Block  
Private Bag 2007  
New Plymouth 4342  
TEL: 0800 500 141  
FAX: +64 6 755 9381  
www.omegawindows.co.nz





DATE:  
07/04/2015

SCALE:  
1:2 @ A3

ISSUE:  
No: 002

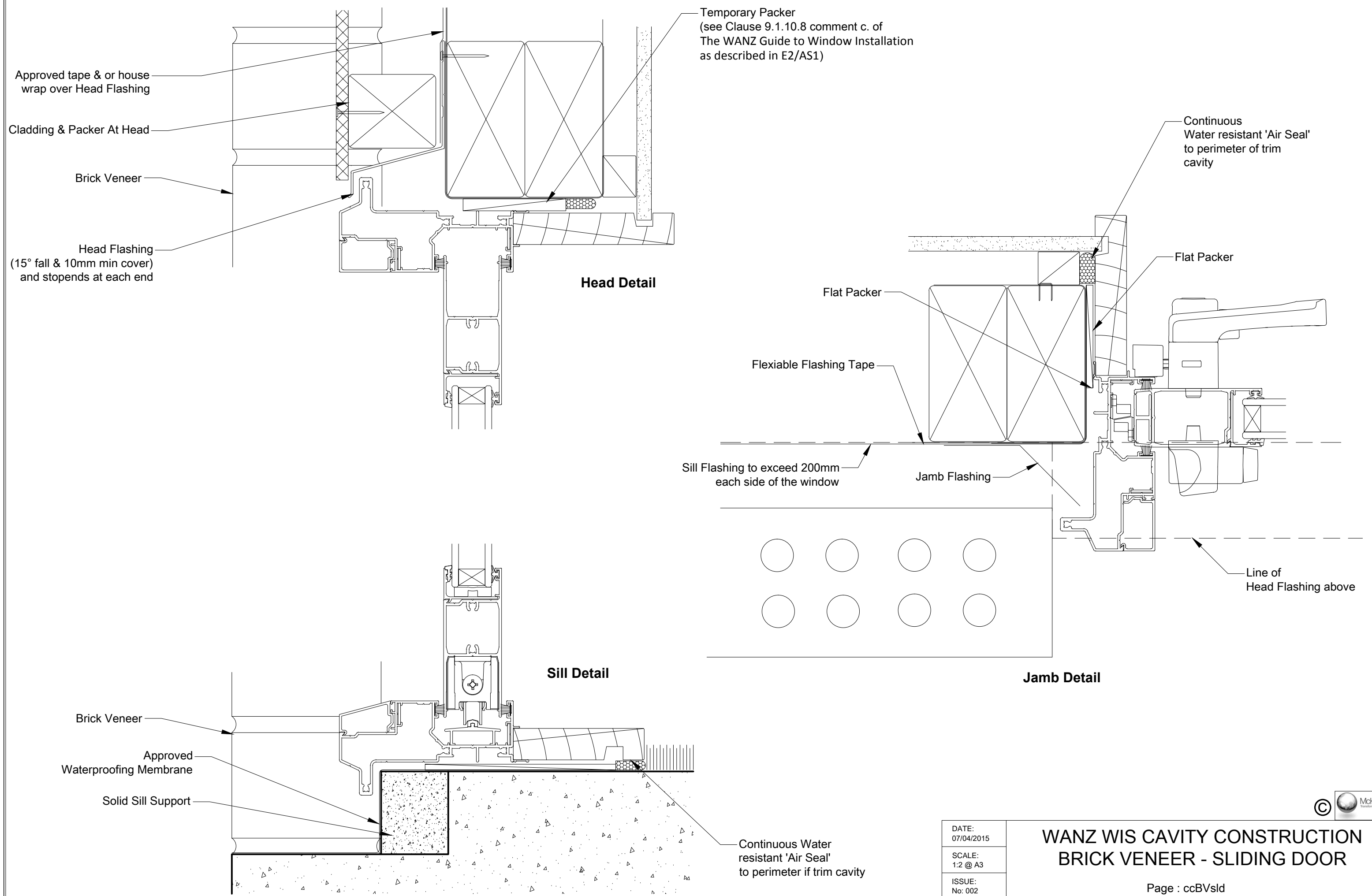
**WANZ WIS CAVITY CONSTRUCTION  
BRICK VENEER - HINGED DOOR**

Page : ccBVhd

OMEGA Windows & Doors Ltd.  
36 Paraiti Road, Bell Block  
Private Bag 2007  
New Plymouth 4342  
TEL: 0800 500 141  
FAX: +64 6 755 9381  
www.omegawindows.co.nz



This document is intended as a guide only and is to be used in conjunction with The WANZ Guide to Window Installation as described in E2/AS1 Amendment 5 (see link below)  
<http://www.wanz.org.nz/download/WANZ%20Guide%20to%20E2%20AS1%20Amd%206%20V1.3%20Dec%202014.pdf>



This document is intended as a guide only and is to be used in conjunction with The WANZ Guide to Window Installation as described in E2/AS1 Amendment 5 (see link below) <http://www.wanz.org.nz/download/WANZ%20Guide%20to%20E2%20AS1%20Amd%206%20V1.3%20Dec%202014.pdf>

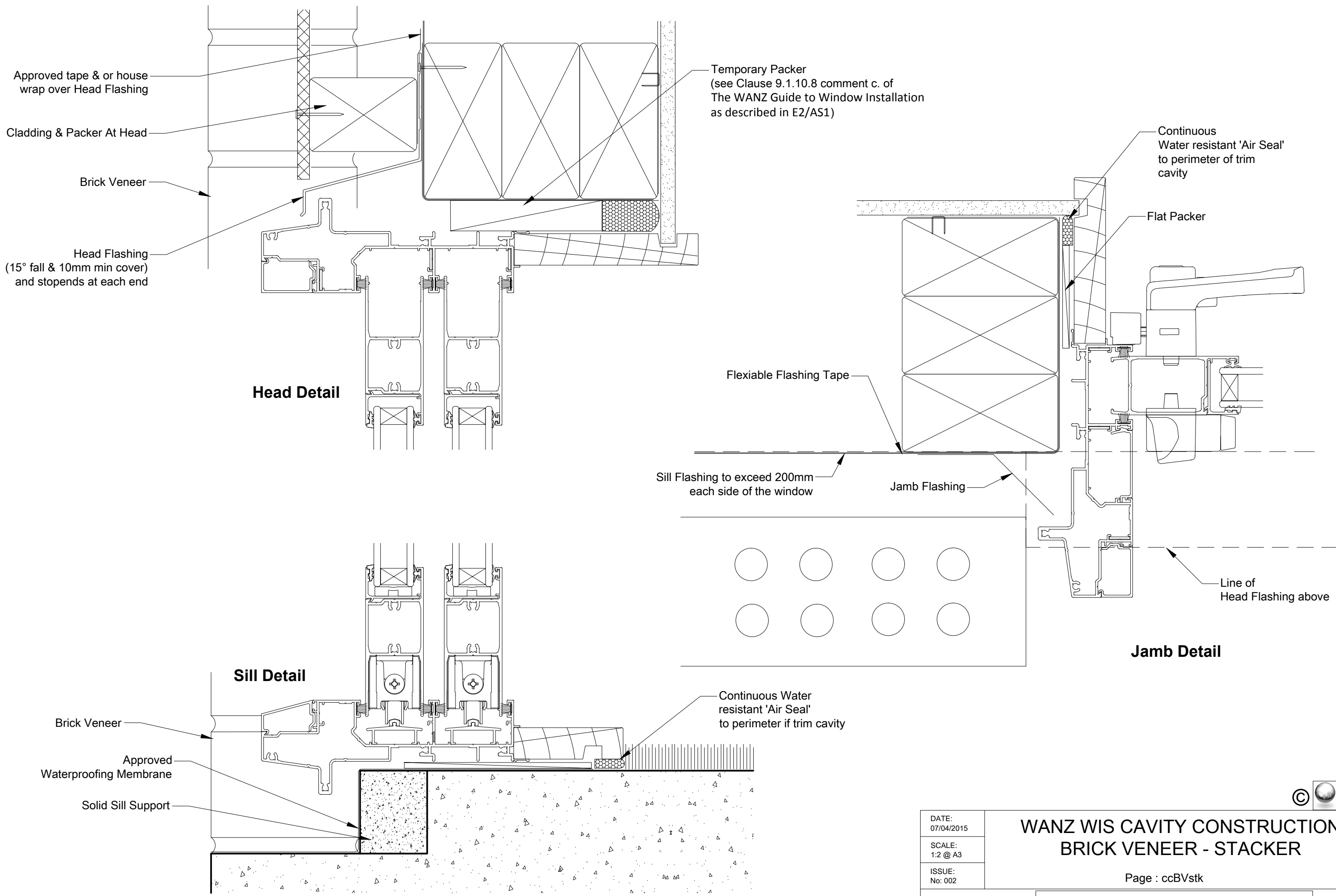
DATE:  
07/04/2015  
SCALE:  
1:2 @ A3  
ISSUE:  
No: 002

**WANZ WIS CAVITY CONSTRUCTION  
BRICK VENEER - SLIDING DOOR**

Page : ccBVslid

OMEGA Windows & Doors Ltd.  
36 Paraiti Road, Bell Block  
Private Bag 2007  
New Plymouth 4342  
TEL: 0800 500 141  
FAX: +64 6 755 9381  
www.omegawindows.co.nz





**Head Detail**

**Sill Detail**

**Jamb Detail**

DATE:  
07/04/2015

SCALE:  
1:2 @ A3

ISSUE:  
No: 002

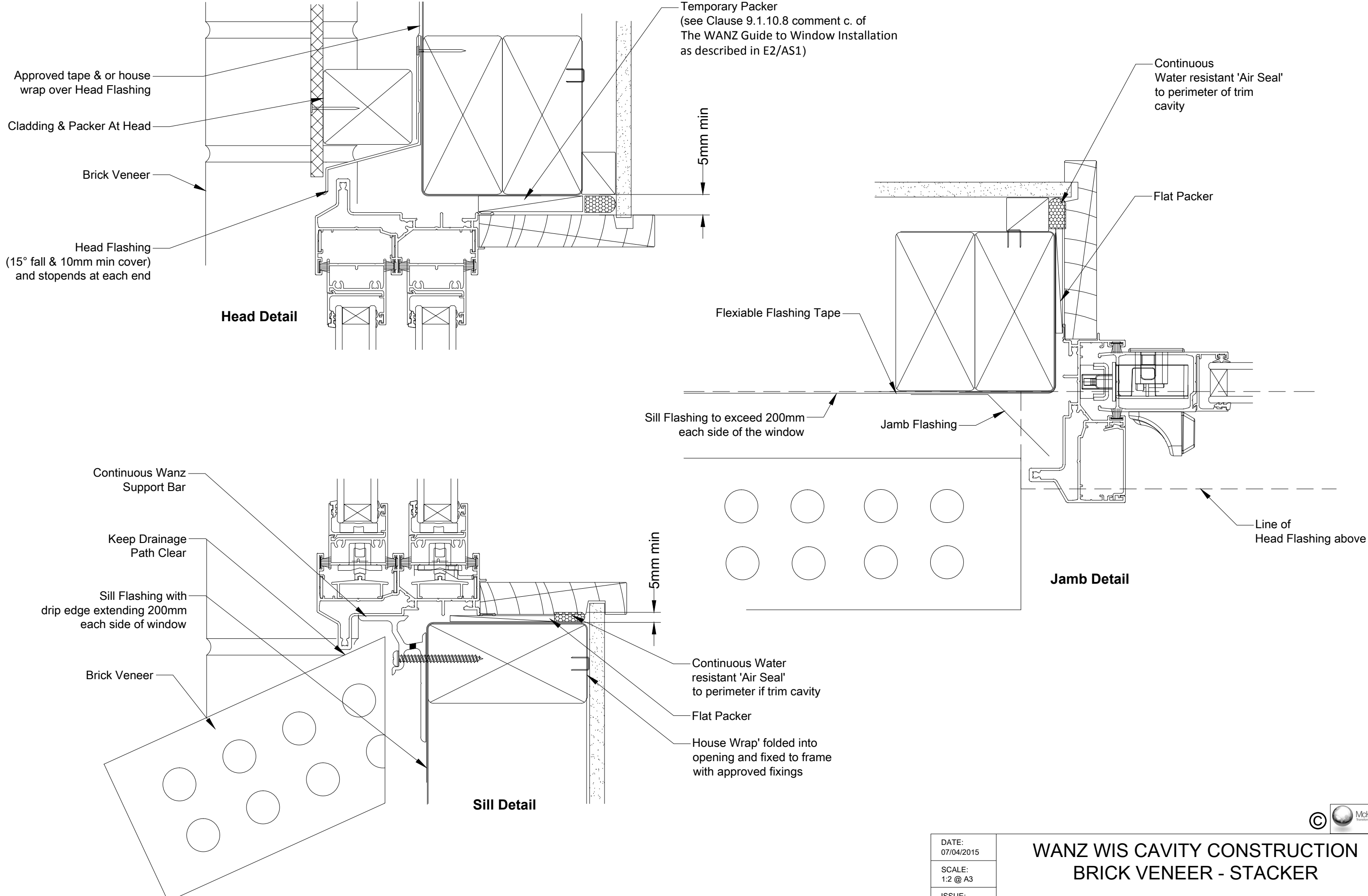
**WANZ WIS CAVITY CONSTRUCTION  
BRICK VENEER - STACKER**

Page : ccBVstk

OMEGA Windows & Doors Ltd.  
36 Paraiti Road, Bell Block  
Private Bag 2007  
New Plymouth 4342  
TEL: 0800 500 141  
FAX: +64 6 755 9381  
www.omegawindows.co.nz



This document is intended as a guide only and is to be used in conjunction with The WANZ Guide to Window Installation as described in E2/AS1 Amendment 5 (see link below) <http://www.wanz.org.nz/download/WANZ%20Guide%20to%20E2%20AS1%20Amd%206%20V1.3%20Dec%202014.pdf>



DATE:  
07/04/2015

SCALE:  
1:2 @ A3

ISSUE:  
No: 002

**WANZ WIS CAVITY CONSTRUCTION  
BRICK VENEER - STACKER**

Page : ccBVsw

OMEGA Windows & Doors Ltd.  
36 Paraita Road, Bell Block  
Private Bag 2007  
New Plymouth 4342  
TEL: 0800 500 141  
FAX: +64 6 755 9381  
www.omegawindows.co.nz



This document is intended as a guide only and is to be used in conjunction with The Wanz Guide to Window Installation as described in E2/AS1 Amendment 5 (see link below)  
<http://www.wanz.org.nz/download/WANZ%20Guide%20to%20E2%20AS1%20Amd%206%20V1.3%20Dec%202014.pdf>