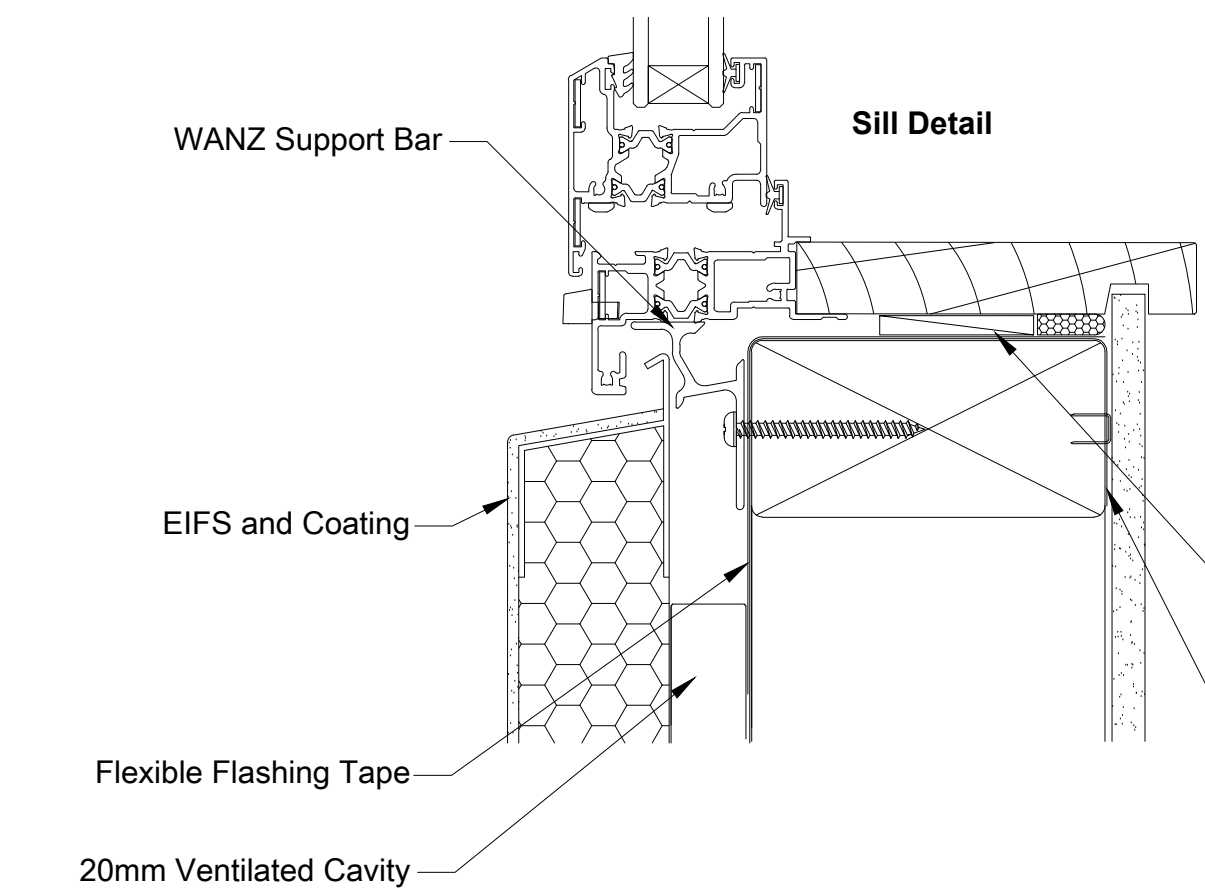


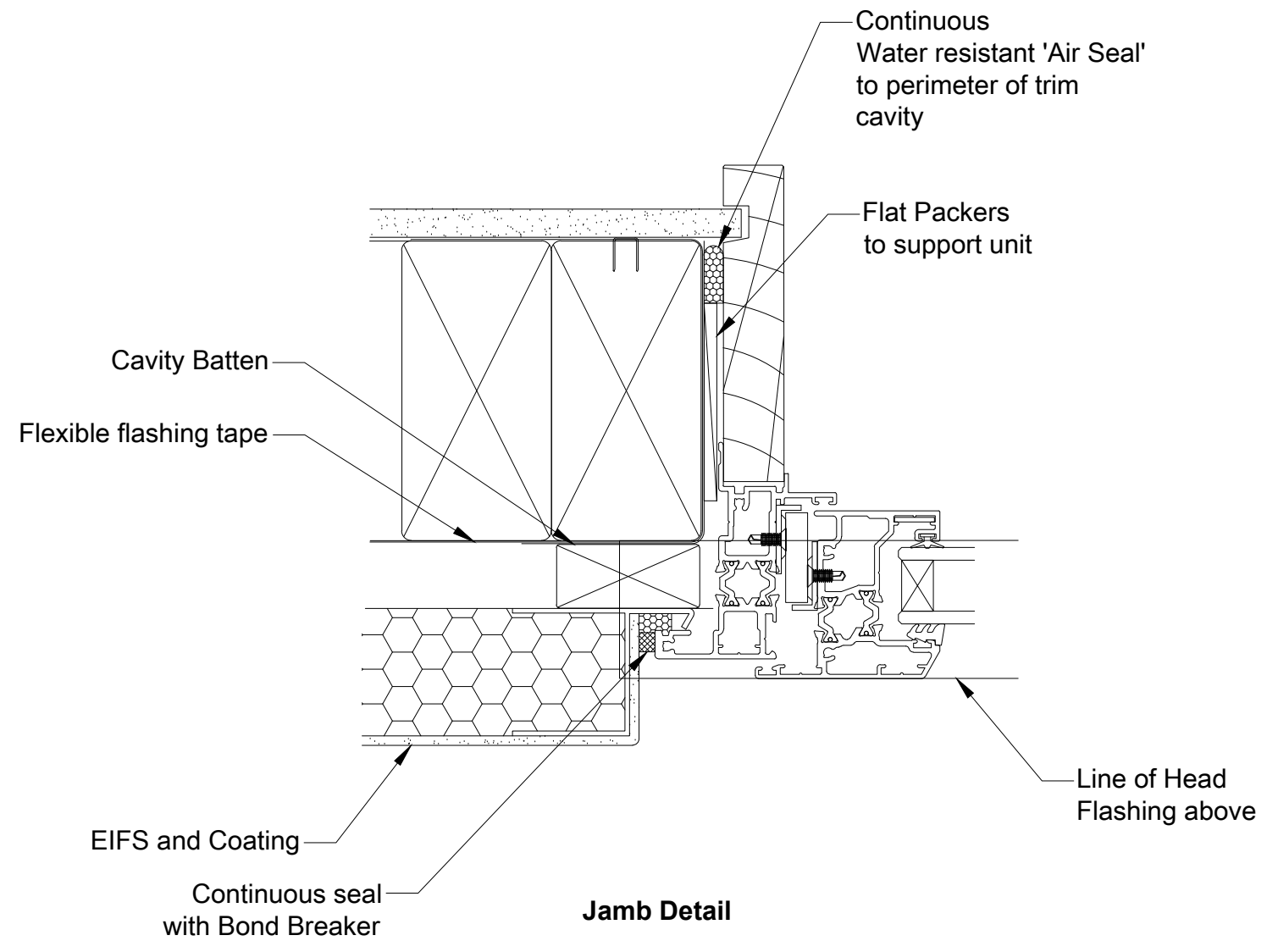
**Head Detail**

Temporary Packer  
(see Clause 9.1.10.8 comment c. of  
The WANZ Guide to Window Installation  
as described in E2/AS1)



**Sill Detail**

'House Wrap' folded into  
opening and fixed to frame  
with approved fixings



**Jamb Detail**

DATE:  
07/04/2015

SCALE:  
1:2 @ A3

ISSUE:  
No: 002

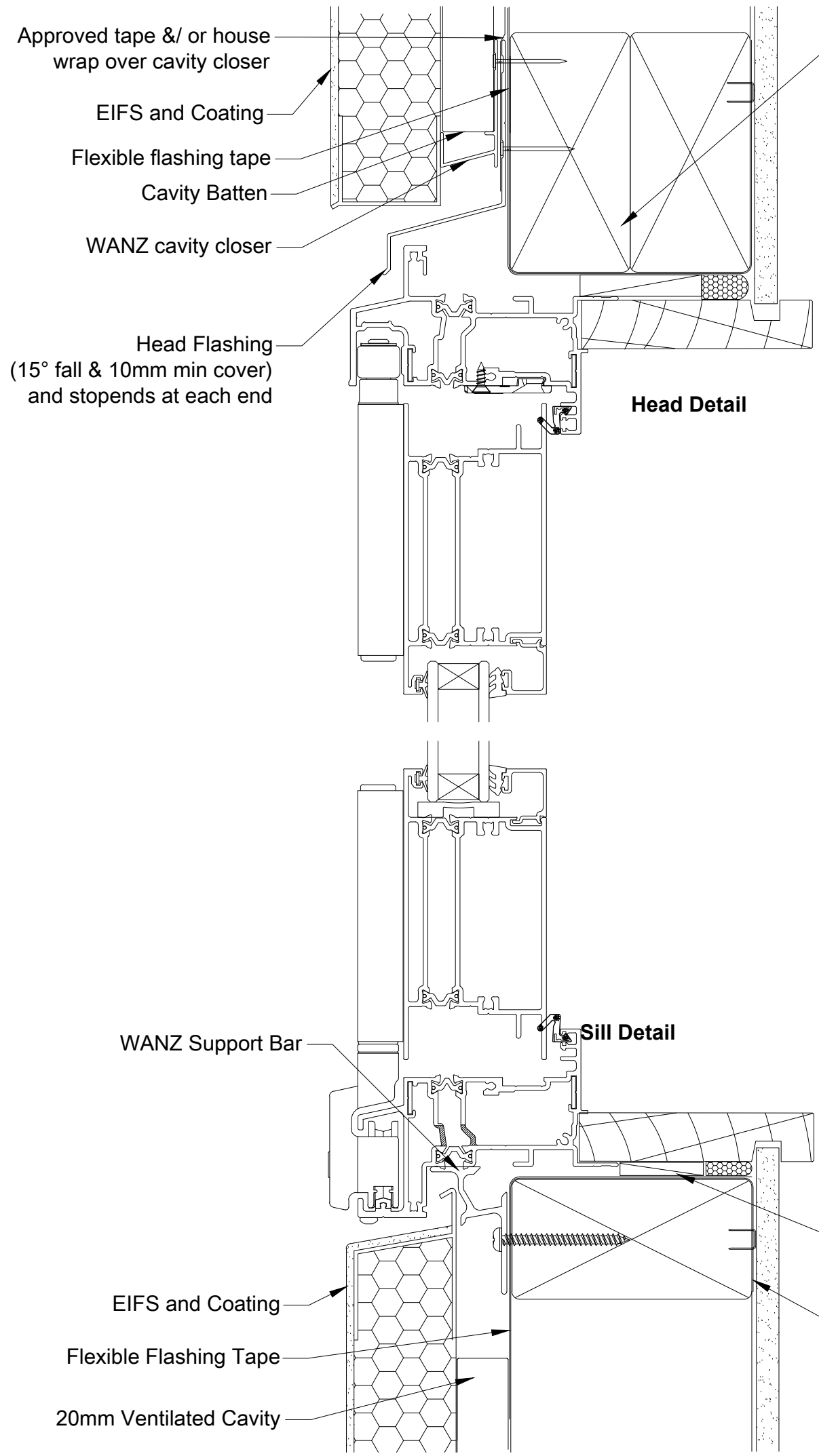
**WANZ WIS CAVITY CONSTRUCTION  
EIFS (recessed) - AWNING WINDOW**

Page : ccEIFTHRMSaw

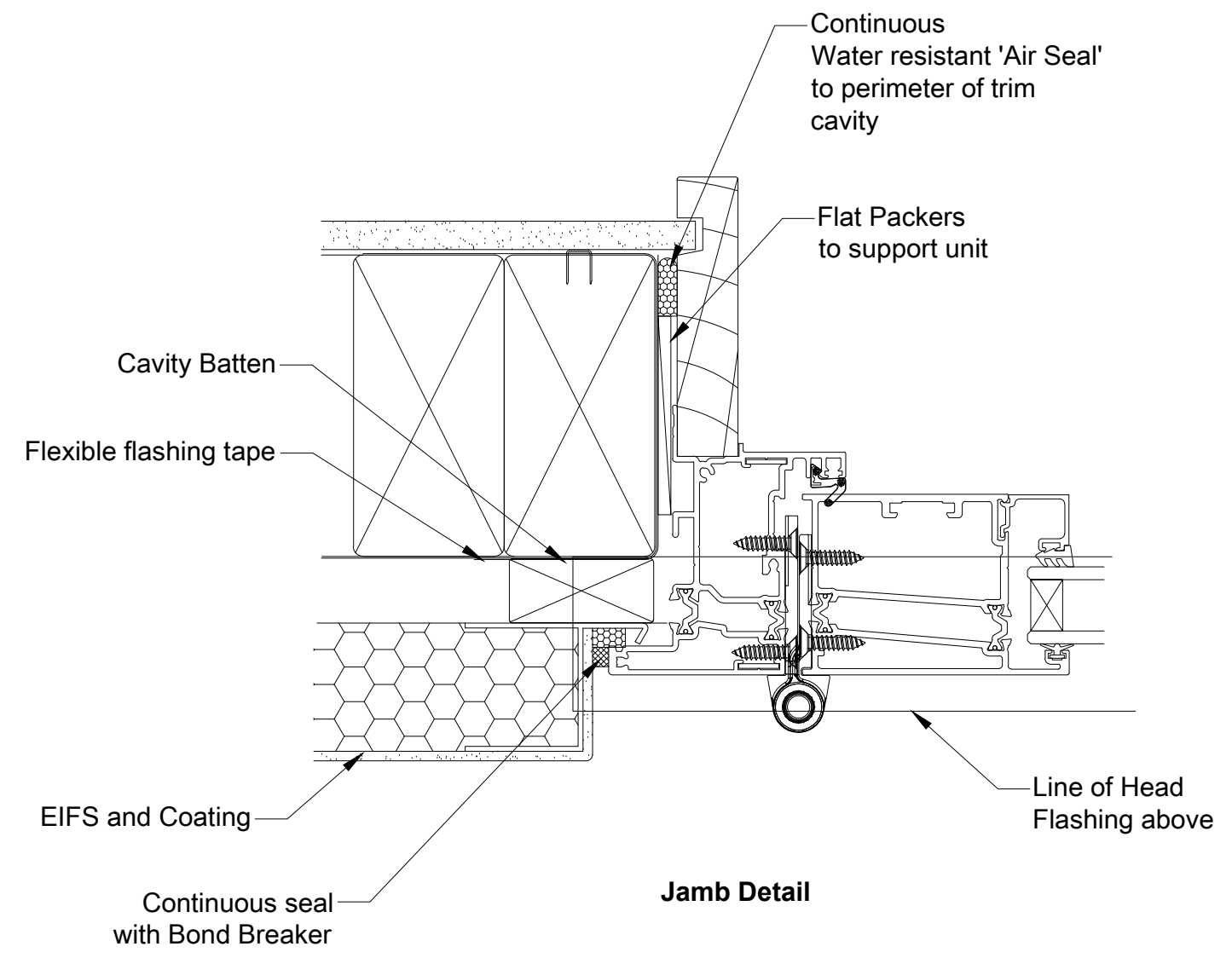
OMEGA Windows & Doors Ltd.  
36 Paraita Road, Bell Block  
Private Bag 2007  
New Plymouth 4342  
TEL: 0800 500 141  
FAX: +64 6 755 9381  
www.omegawindows.co.nz



This document is intended as a guide only and is to be used in conjunction with  
The WANZ Guide to Window Installation as described in E2/AS1 Amendment 5 (see link below)  
<http://www.wanz.org.nz/download/WANZ%20Guide%20to%20E2%20AS1%20Amd%206%20V1.3%20Dec%202014.pdf>



Temporary Packer (see Clause 9.1.10.8 comment c. of The WANZ Guide to Window Installation as described in E2/AS1)



Flat Packers to support unit

'House Wrap' folded into opening and fixed to frame with approved fixings

DATE: 07/04/2015

SCALE: 1:2 @ A3

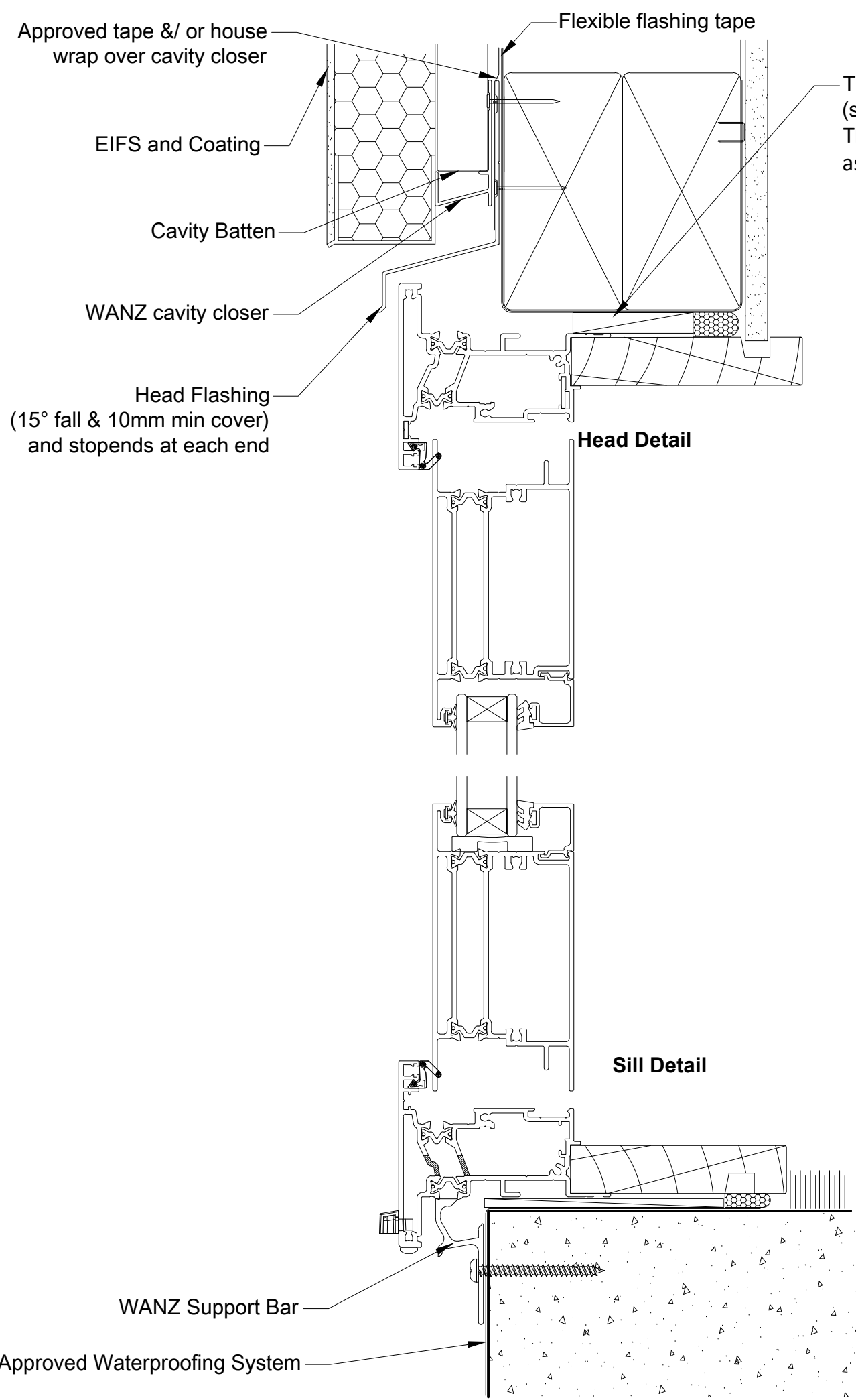
ISSUE: No: 002

**WANZ WIS CAVITY CONSTRUCTION EIFS (recessed) - BI FOLD WINDOW**

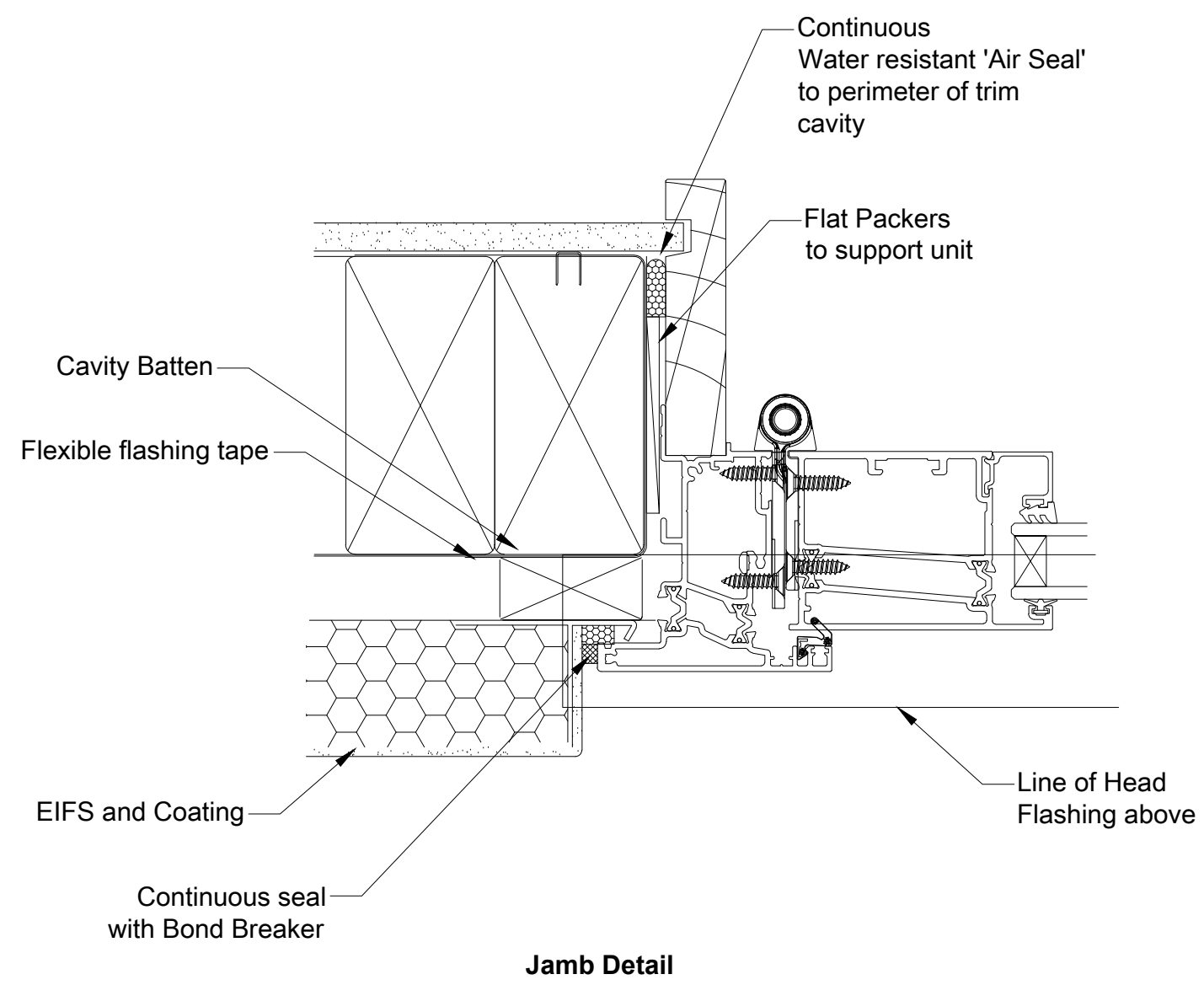
Page : ccEIFTHRMbw

OMEGA Windows & Doors Ltd.  
36 Paraiti Road, Bell Block  
Private Bag 2007  
New Plymouth 4342  
TEL: 0800 500 141  
FAX: +64 6 755 9381  
www.omegawindows.co.nz





Temporary Packer  
(see Clause 9.1.10.8 comment c. of  
The WANZ Guide to Window Installation  
as described in E2/AS1)



DATE:  
07/04/2015

SCALE:  
1:2 @ A3

ISSUE:  
No: 002

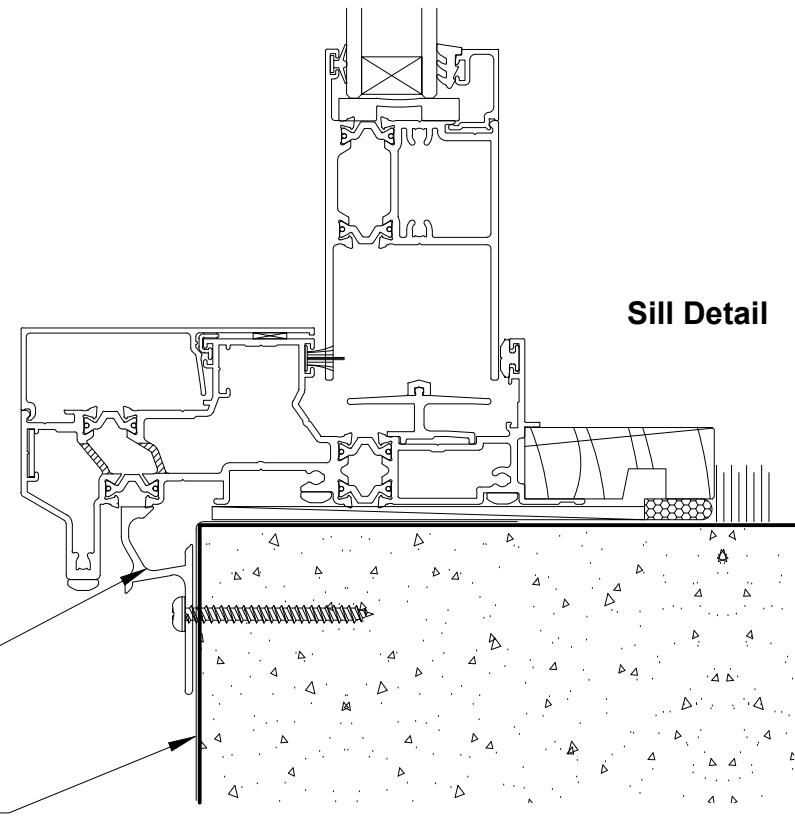
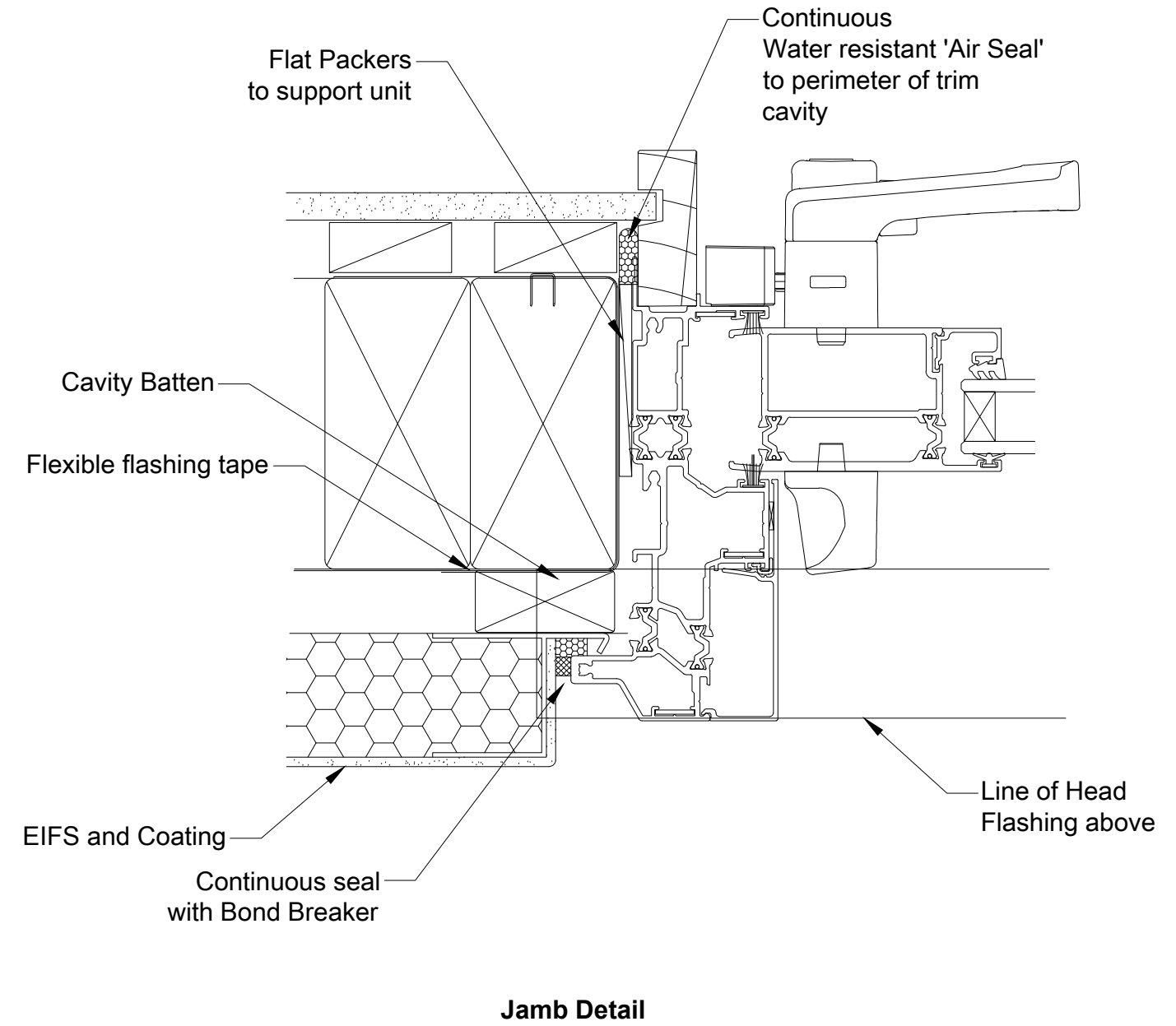
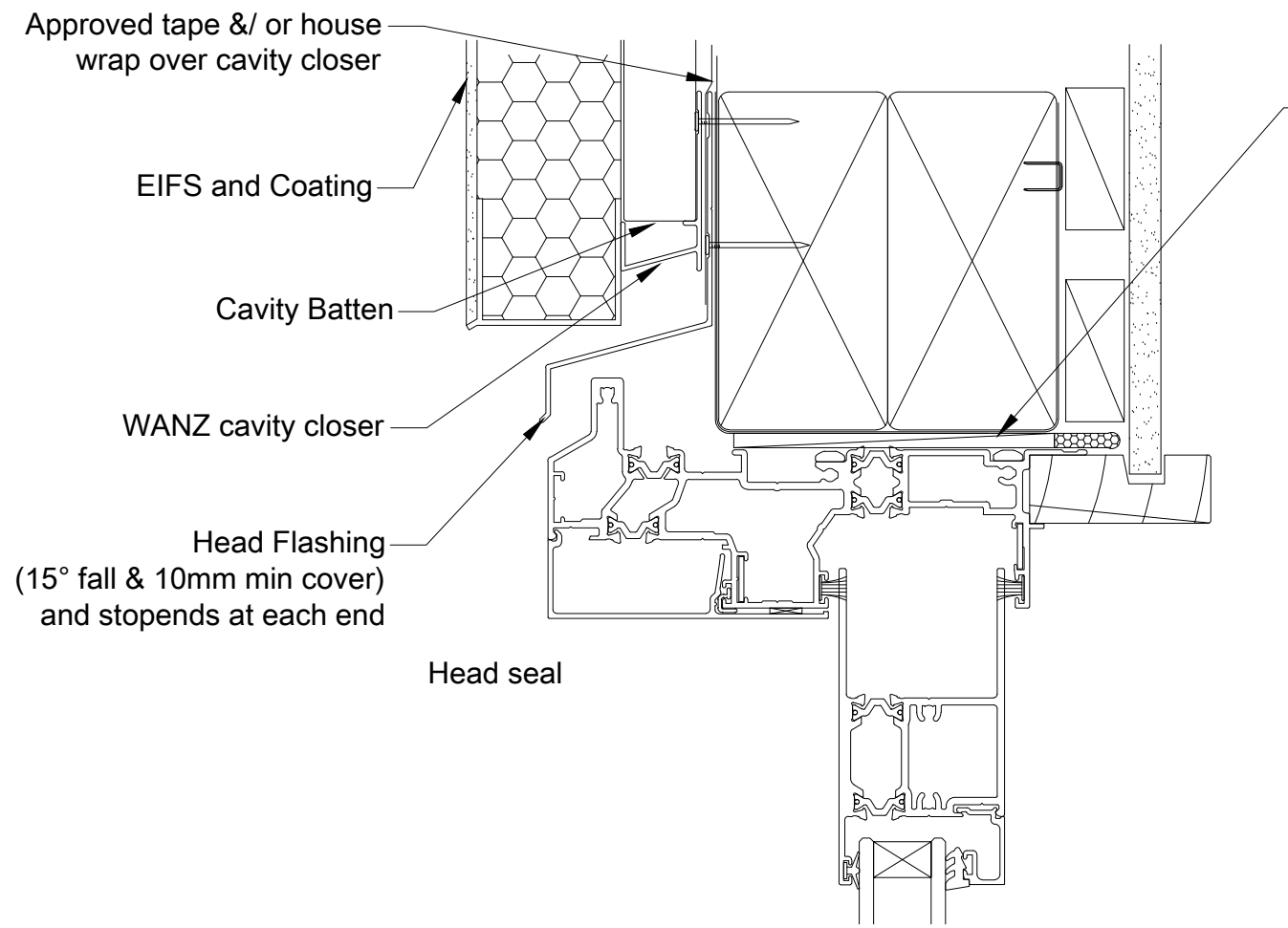
**WANZ WIS CAVITY CONSTRUCTION  
EIFS (recessed) - HINGED DOOR**

Page : ccEIFTHRMhd

OMEGA Windows & Doors Ltd.  
36 Paraiti Road, Bell Block  
Private Bag 2007  
New Plymouth 4342  
TEL: 0800 500 141  
FAX: +64 6 755 9381  
www.omegawindows.co.nz



This document is intended as a guide only and is to be used in conjunction with  
The WANZ Guide to Window Installation as described in E2/AS1 Amendment 5 (see link below)  
<http://www.wanz.org.nz/download/WANZ%20Guide%20to%20E2%20AS1%20Amd%206%20V1.3%20Dec%202014.pdf>



DATE:  
07/04/2015

SCALE:  
1:2 @ A3

ISSUE:  
No: 002

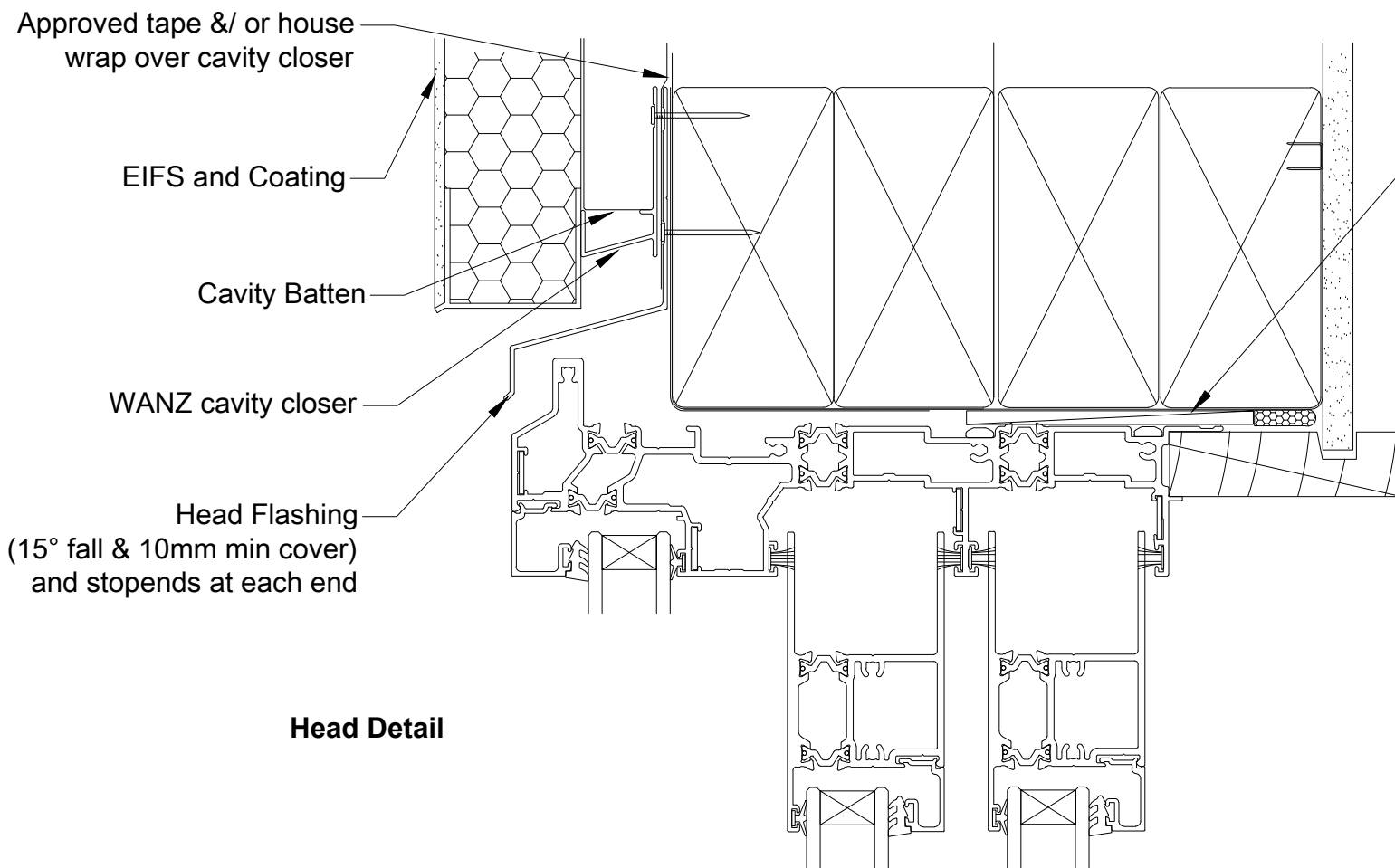
**WANZ WIS CAVITY CONSTRUCTION  
EIFS (recessed) - SLIDING DOOR**

Page : ccEIFTHRMslid

OMEGA Windows & Doors Ltd.  
36 Paraiti Road, Bell Block  
Private Bag 2007  
New Plymouth 4342  
TEL: 0800 500 141  
FAX: +64 6 755 9381  
www.omegawindows.co.nz

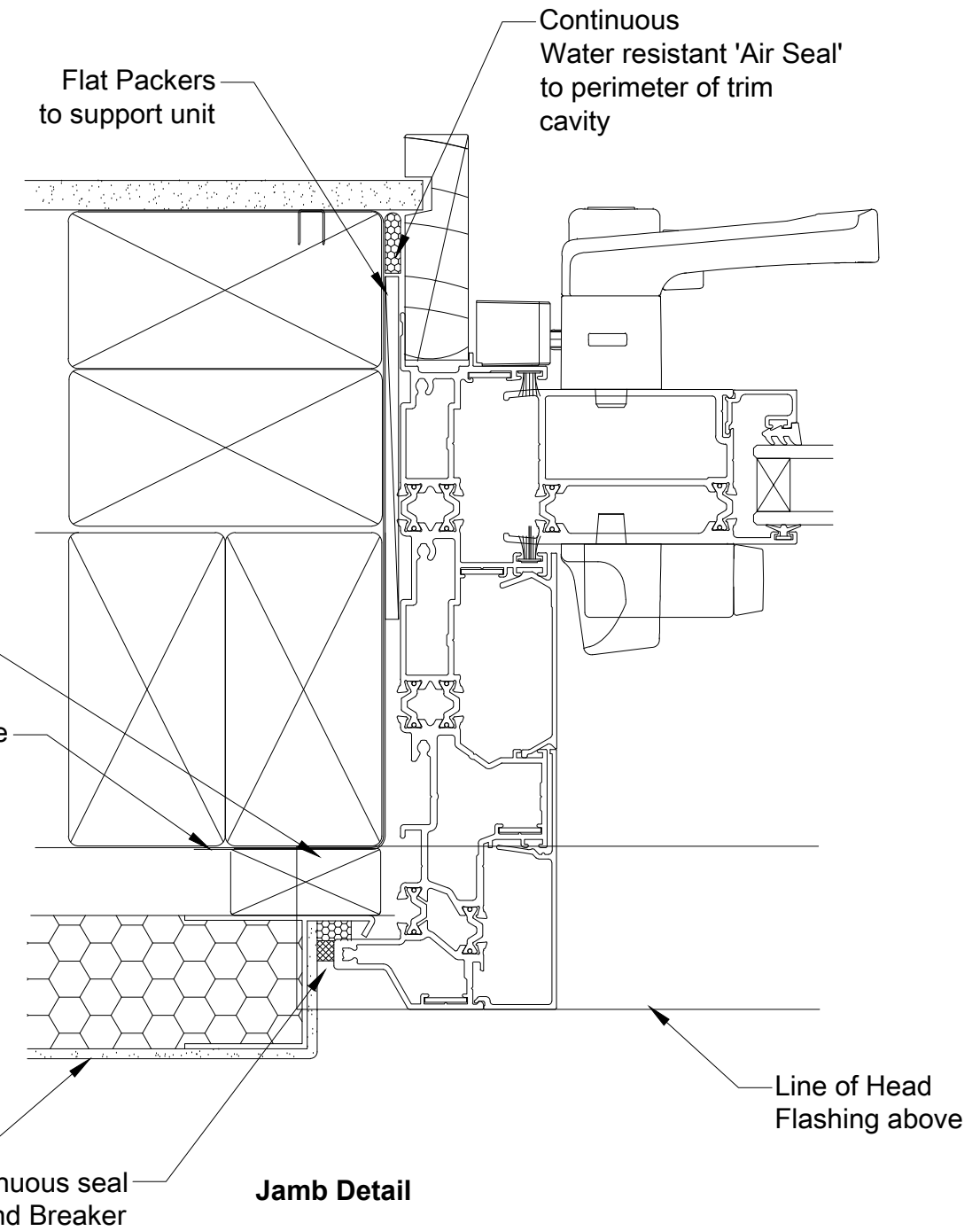


This document is intended as a guide only and is to be used in conjunction with The WANZ Guide to Window Installation as described in E2/AS1 Amendment 5 (see link below) <http://www.wanz.org.nz/download/WANZ%20Guide%20to%20E2%20AS1%20Amd%206%20V1.3%20Dec%202014.pdf>

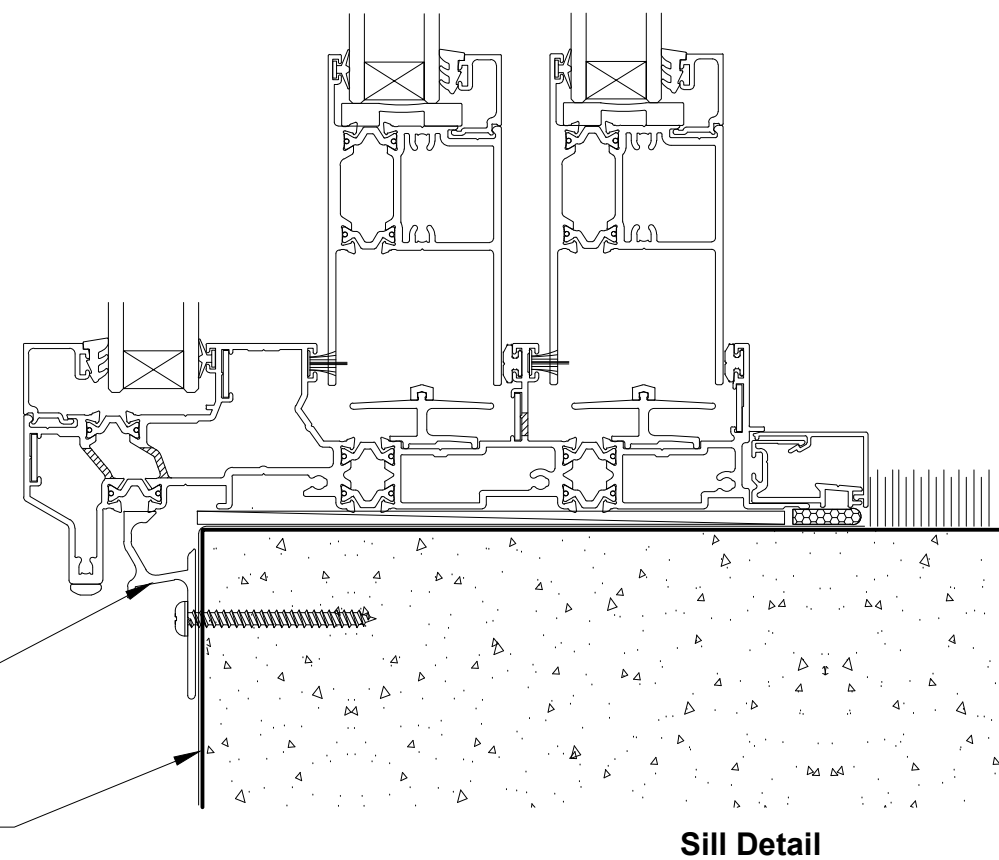


**Head Detail**

Temporary Packer (see Clause 9.1.10.8 comment c. of The Wanz Guide to Window Installation as described in E2/AS1)



**Jamb Detail**



**Sill Detail**



DATE:  
07/04/2015

SCALE:  
1:2 @ A3

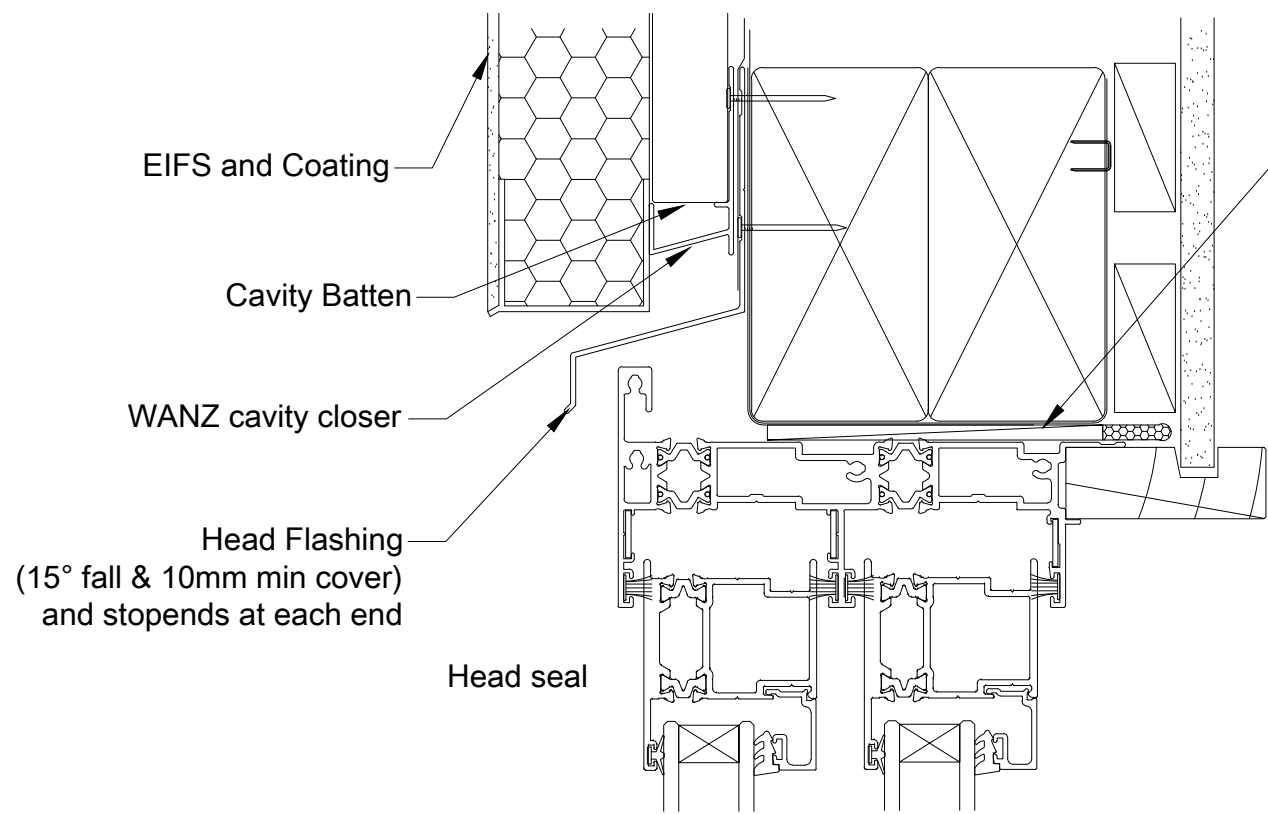
ISSUE:  
No: 002

**WANZ WIS CAVITY CONSTRUCTION  
EIFS (recessed) - STAKER**

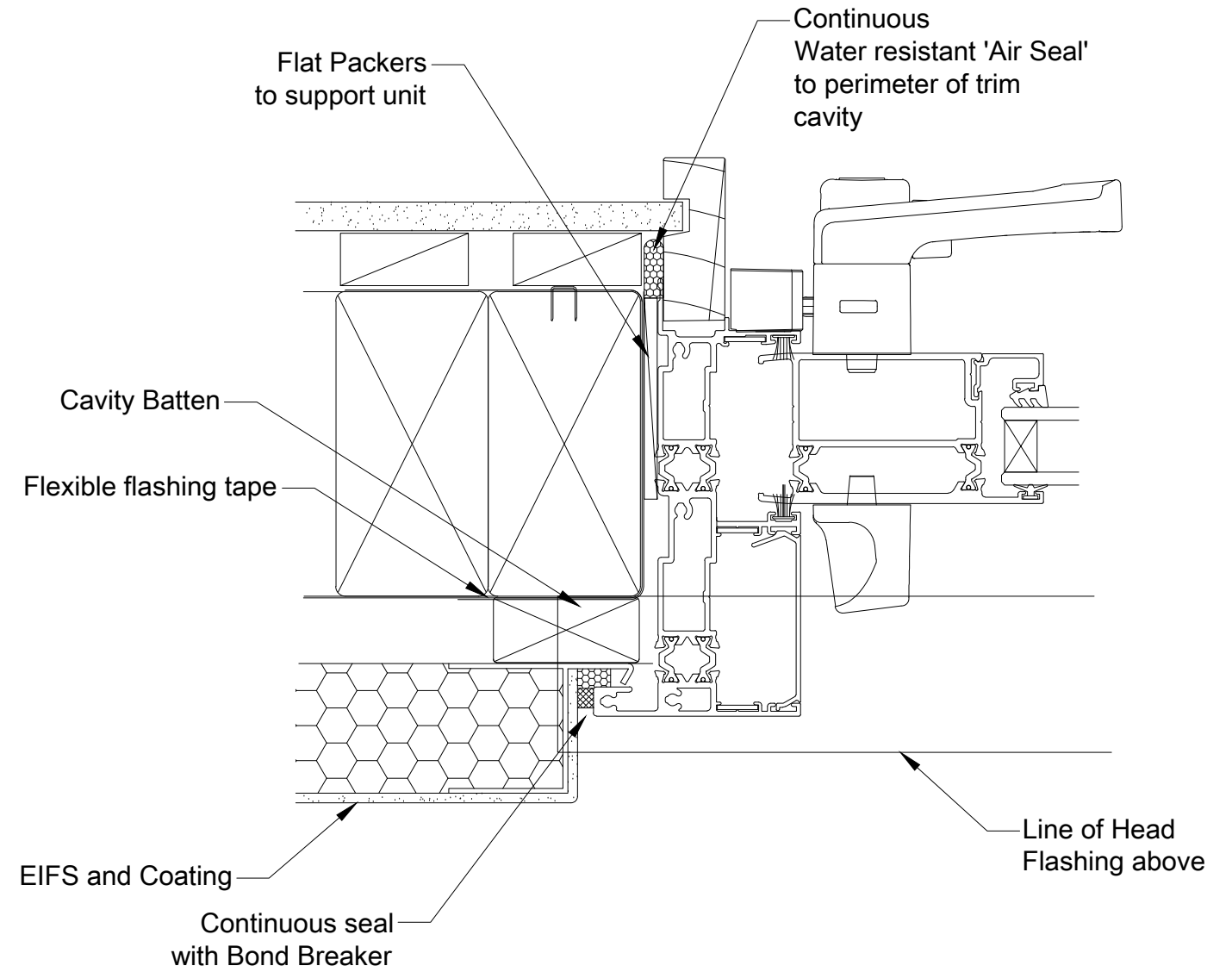
Page : ccEIFTHRMstk

OMEGA Windows & Doors Ltd.  
36 Paraita Road, Bell Block  
Private Bag 2007  
New Plymouth 4342  
TEL: 0800 500 141  
FAX: +64 6 755 9381  
www.omegawindows.co.nz

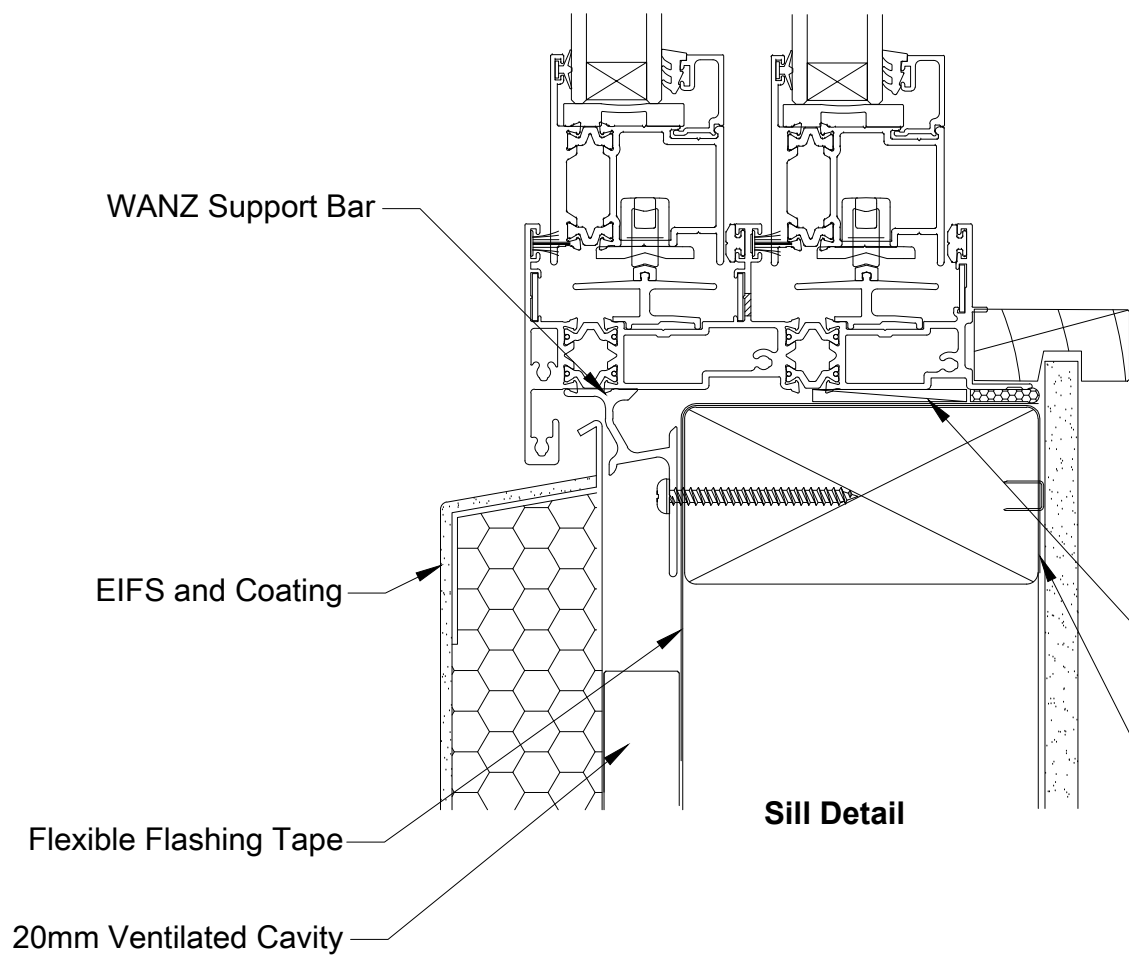




Temporary Packer  
(see Clause 9.1.10.8 comment c. of  
The Wanz Guide to Window Installation  
as described in E2/AS1)



**Jamb Detail**



Flat Packers to support unit

'House Wrap' folded into opening and fixed to frame with approved fixings

DATE:  
07/04/2015

SCALE:  
1:2 @ A3

ISSUE:  
No: 002

**Wanz WIS Cavity Construction  
EIFS (recessed) - SLIDING WINDOW**

Page : ccEIFTHRmsw

OMEGA Windows & Doors Ltd.  
36 Paraiti Road, Bell Block  
Private Bag 2007  
New Plymouth 4342  
TEL: 0800 500 141  
FAX: +64 6 755 9381  
www.omegawindows.co.nz

