

DATE:
07/04/2015

SCALE:
1:2 @ A3

ISSUE:
No: 002

**WANZ WIS CAVITY CONSTRUCTION
FIBRE CEMENT SHEET - AWNING WINDOW**

Page : ccFCSaw

OMEGA Windows & Doors Ltd.
36 Paraiti Road, Bell Block
Private Bag 2007
New Plymouth 4342
TEL: 0800 500 141
FAX: +64 6 755 9381
www.omegawindows.co.nz



This document is intended as a guide only and is to be used in conjunction with The Wanz Guide to Window Installation as described in E2/AS1 Amendment 5 (see link below)
<http://www.wanz.org.nz/download/WANZ%20Guide%20to%20E2%20AS1%20Amd%206%20V1.3%20Dec%202014.pdf>

Approved tape &/ or house wrap over cavity closer

Fibre Cement sheet

Cavity Batten

WANZ cavity closer

Temporary Packer
(see Clause 9.1.10.8 comment c. of
The WANZ Guide to Window Installation
as described in E2/AS1)

5mm min

Head Flashing
(15° fall & 10mm min cover)
and stopends at each end

Head Detail

Continuous
Water resistant 'Air Seal'
to perimeter of trim
cavity

Flat Packers
to support unit

Cavity Batten

Flexible flashing tape

5

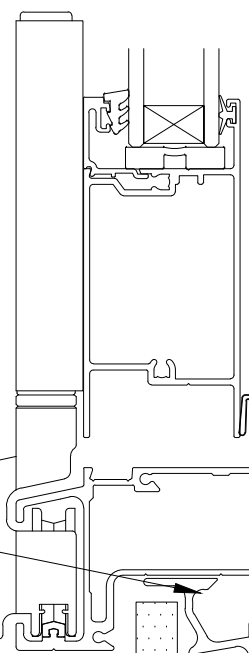
Fibre Cement sheet

Continuous Protective
Seal over Foam Bond Breaker

10mm Coverage

Line of Head
Flashing above

Jamb Detail



Sill Detail

5mm min

WANZ Support Bar

Flexible Flashing Tape

Fibre Cement sheet

20mm Ventilated Cavity

Flat Packers
to support unit

'House Wrap' folded into
opening and fixed to frame
with approved fixings



DATE:
07/04/2015
SCALE:
1:2 @ A3
ISSUE:
No: 002

**WANZ WIS CAVITY CONSTRUCTION
FIBRE CEMENT SHEET - BI FOLD WINDOW**

Page : ccFCSbw

OMEGA Windows & Doors Ltd.
36 Paraiti Road, Bell Block
Private Bag 2007
New Plymouth 4342
TEL: 0800 500 141
FAX: +64 6 755 9381
www.omegawindows.co.nz



This document is intended as a guide only and is to be used in conjunction with
The WANZ Guide to Window Installation as described in E2/AS1 Amendment 5 (see link below)
<http://www.wanz.org.nz/download/WANZ%20Guide%20to%20E2%20AS1%20Amd%206%20V1.3%20Dec%202014.pdf>

Approved tape &/ or house wrap over cavity closer

Fibre Cement sheet

Cavity Batten

WANZ cavity closer

Head Flashing
(15° fall & 10mm min cover)
and stopends at each end

Temporary Packer
(see Clause 9.1.10.8 comment c. of
The WANZ Guide to Window Installation
as described in E2/AS1)

Head Detail

Continuous
Water resistant 'Air Seal'
to perimeter of trim
cavity

Flat Packers
to support unit

Cavity Batten

Flexible flashing tape

Fibre Cement sheet

Continuous Protective
Seal over Foam Bond Breaker

5

10mm Coverage

Line of Head
Flashing above

Jamb Detail

Sill Detail

5mm min

Flat Packers
to support unit

WANZ Support Bar

Approved Waterproofing System



DATE:
07/04/2015

SCALE:
1:2 @ A3

ISSUE:
No: 002

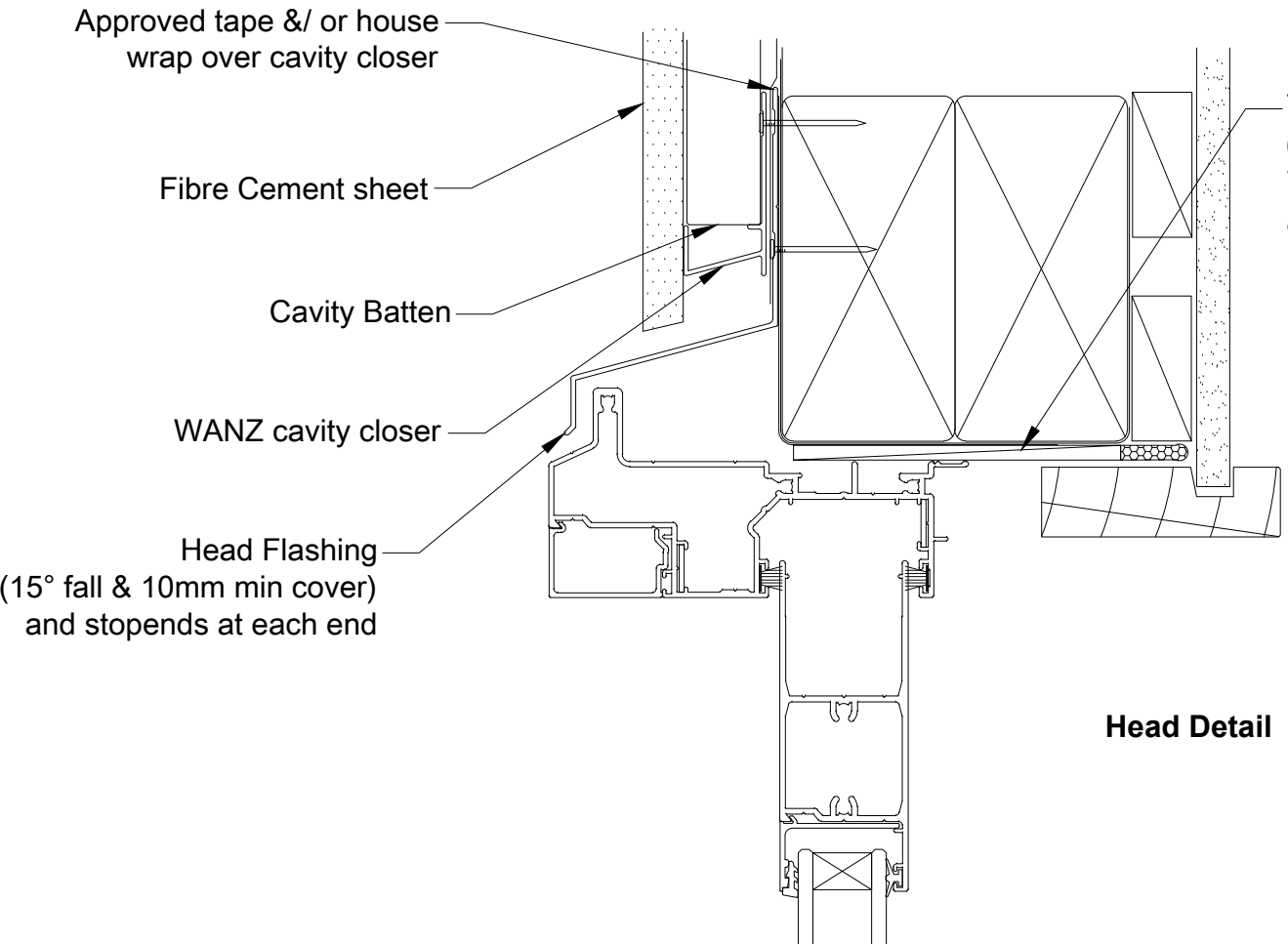
**WANZ WIS CAVITY CONSTRUCTION
FIBRE CEMENT SHEET - HINGED DOOR**

Page : ccFCShd

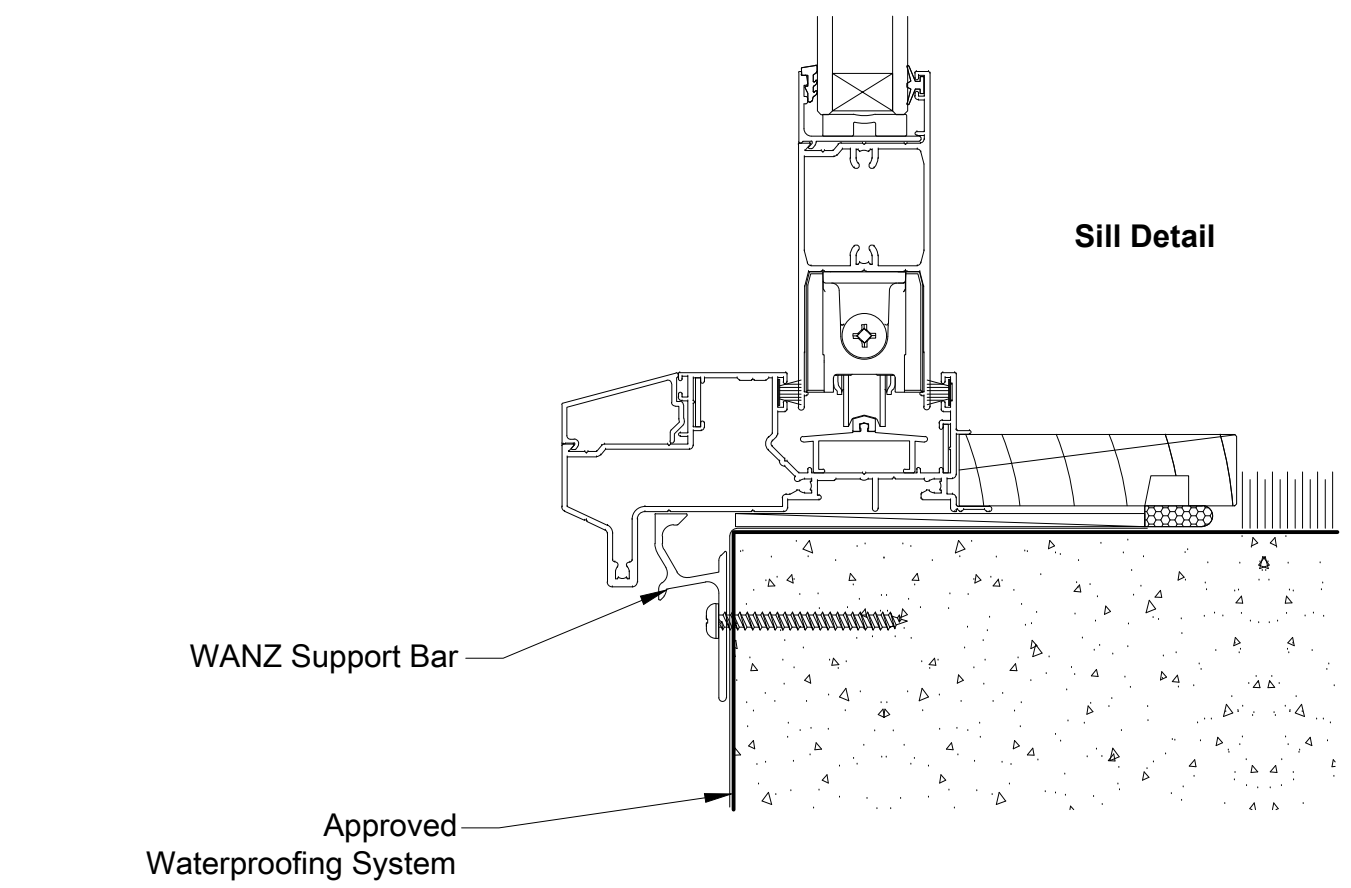
OMEGA Windows & Doors Ltd.
36 Paraiti Road, Bell Block
Private Bag 2007
New Plymouth 4342
TEL: 0800 500 141
FAX: +64 6 755 9381
www.omegawindows.co.nz



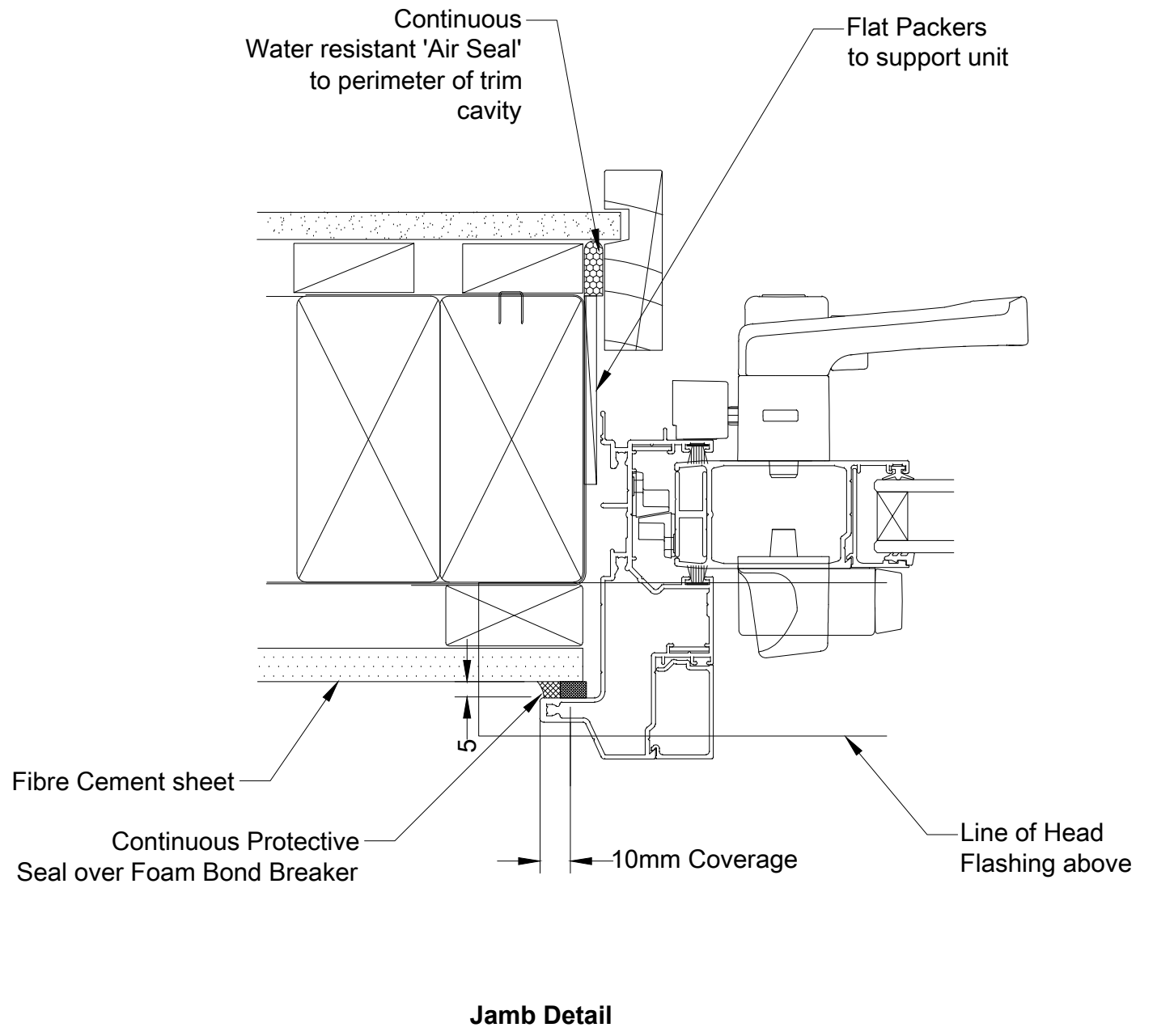
This document is intended as a guide only and is to be used in conjunction with
The WANZ Guide to Window Installation as described in E2/AS1 Amendment 5 (see link below)
<http://www.wanz.org.nz/download/WANZ%20Guide%20to%20E2%20AS1%20Amd%206%20V1.3%20Dec%202014.pdf>



Head Detail



Sill Detail



Jamb Detail

DATE:
07/04/2015

SCALE:
1:2 @ A3

ISSUE:
No: 002

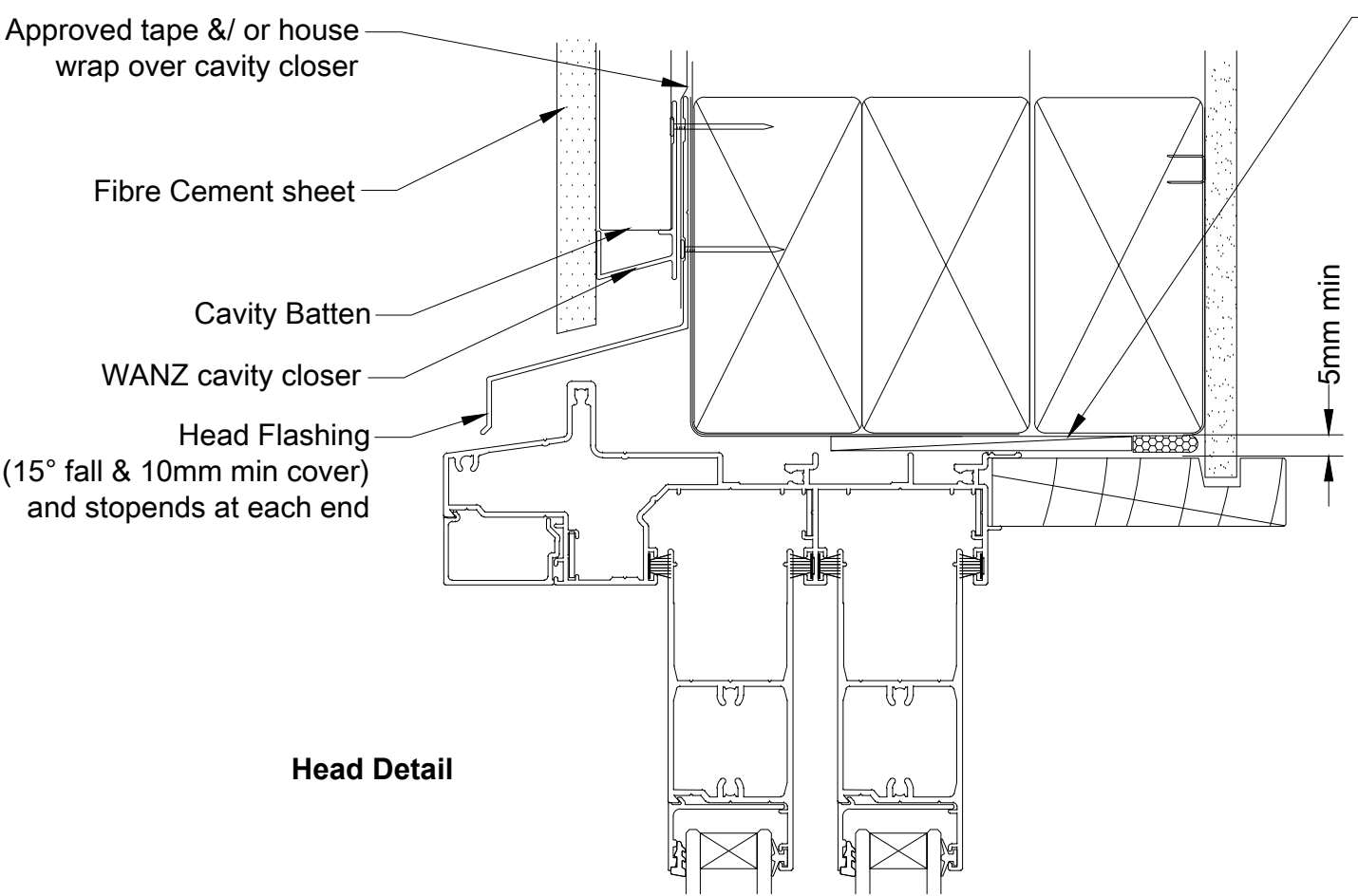
**WANZ WIS CAVITY CONSTRUCTION
FIBRE CEMENT SHEET - SLIDING DOOR**

Page : ccFCSsld

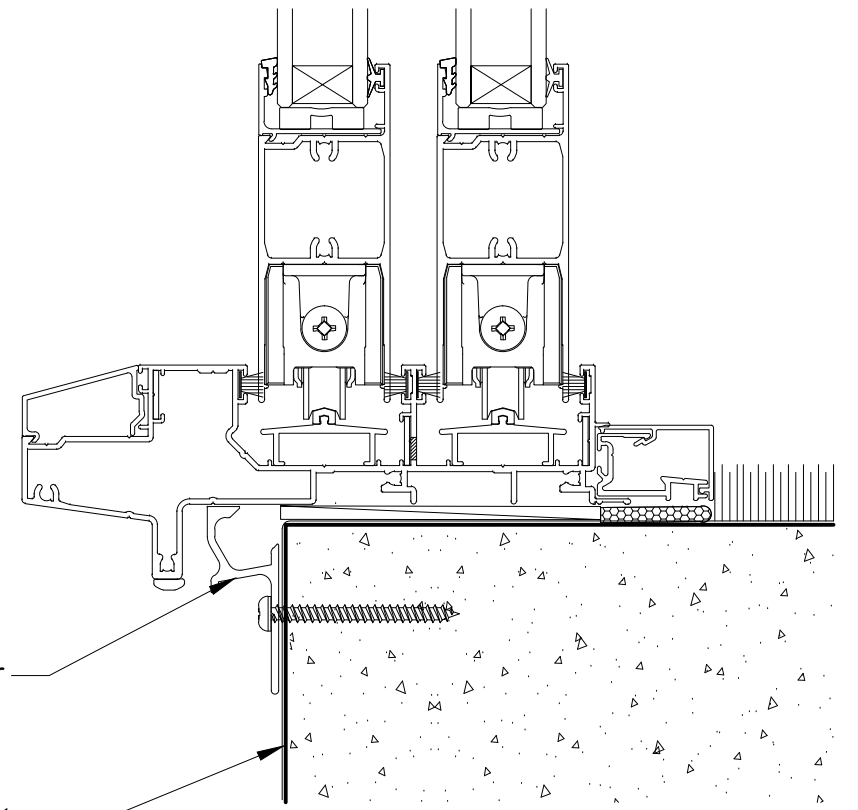
OMEGA Windows & Doors Ltd.
36 Paraitē Road, Bell Block
Private Bag 2007
New Plymouth 4342
TEL: 0800 500 141
FAX: +64 6 755 9381
www.omegawindows.co.nz



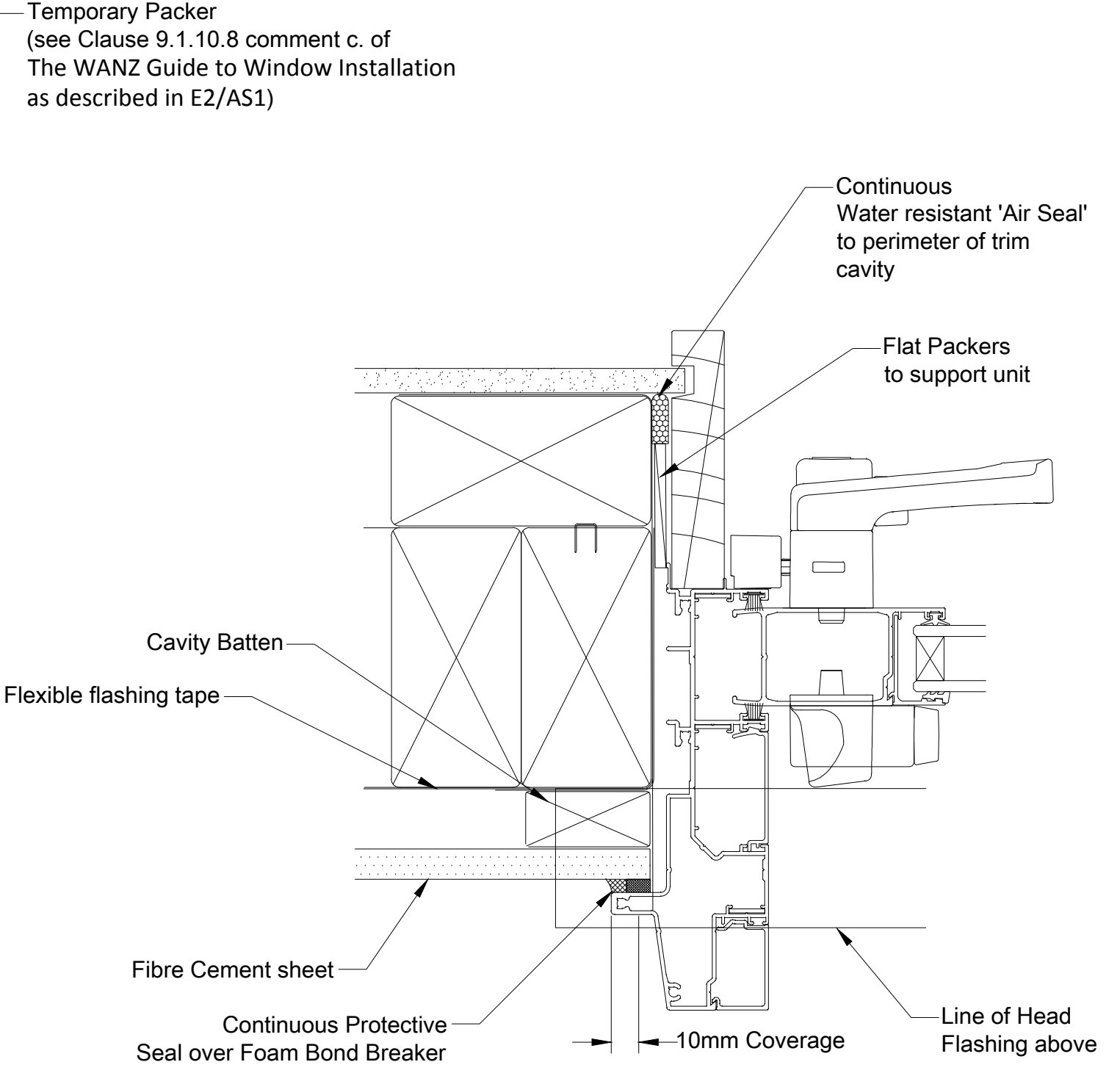
This document is intended as a guide only and is to be used in conjunction with The WANZ Guide to Window Installation as described in E2/AS1 Amendment 5 (see link below)
<http://www.wanz.org.nz/download/WANZ%20Guide%20to%20E2%20AS1%20Amd%206%20V1.3%20Dec%202014.pdf>



Head Detail



Sill Detail



Jamb Detail

Jamb Detail

DATE:
07/04/2015

SCALE:
1:2 @ A3

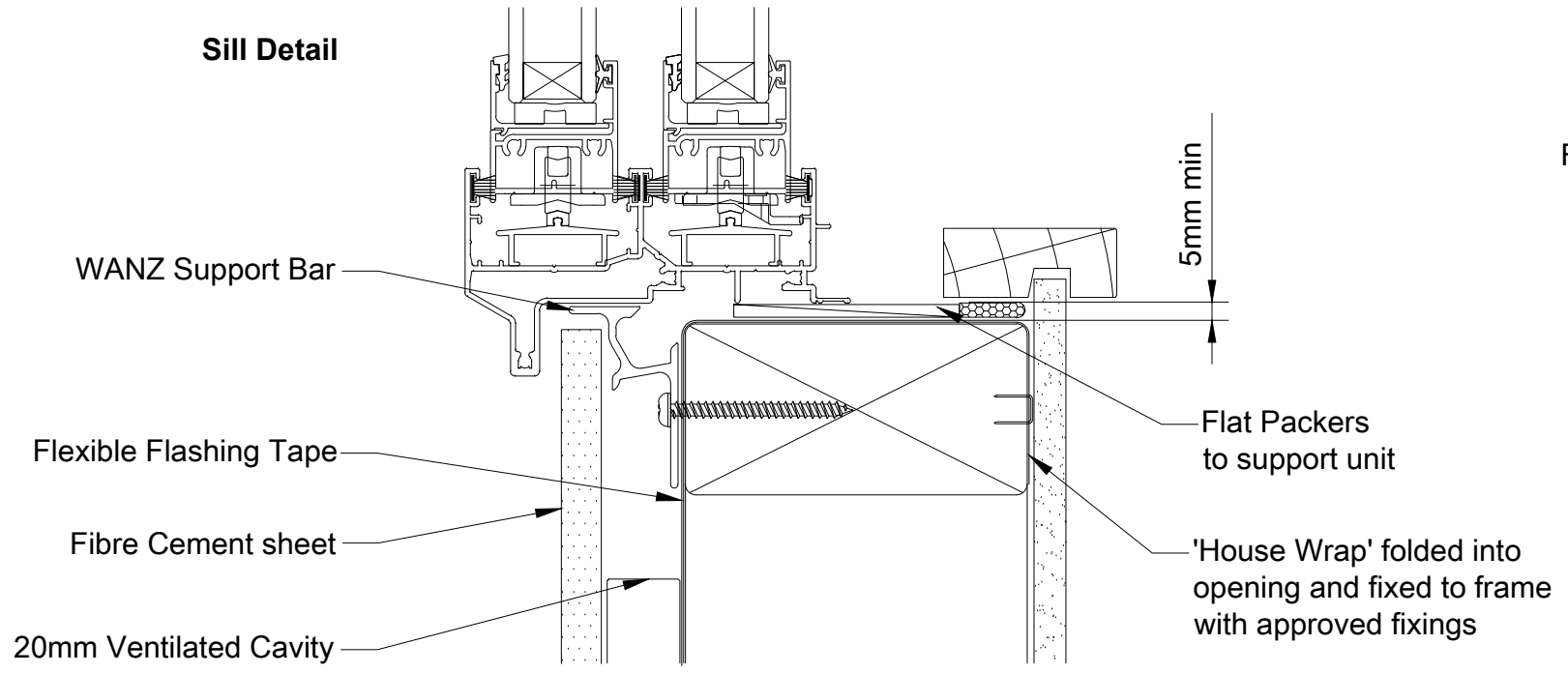
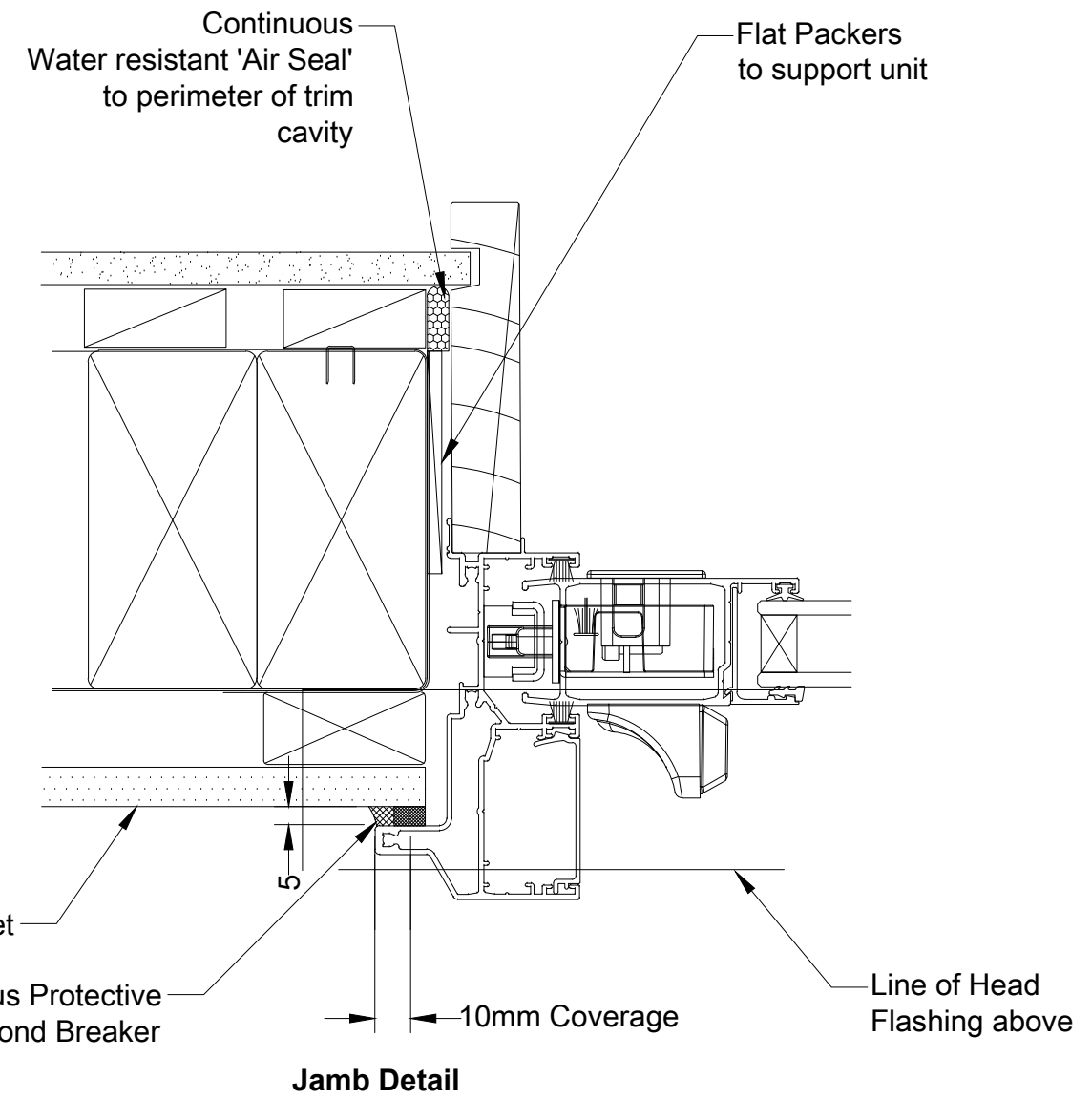
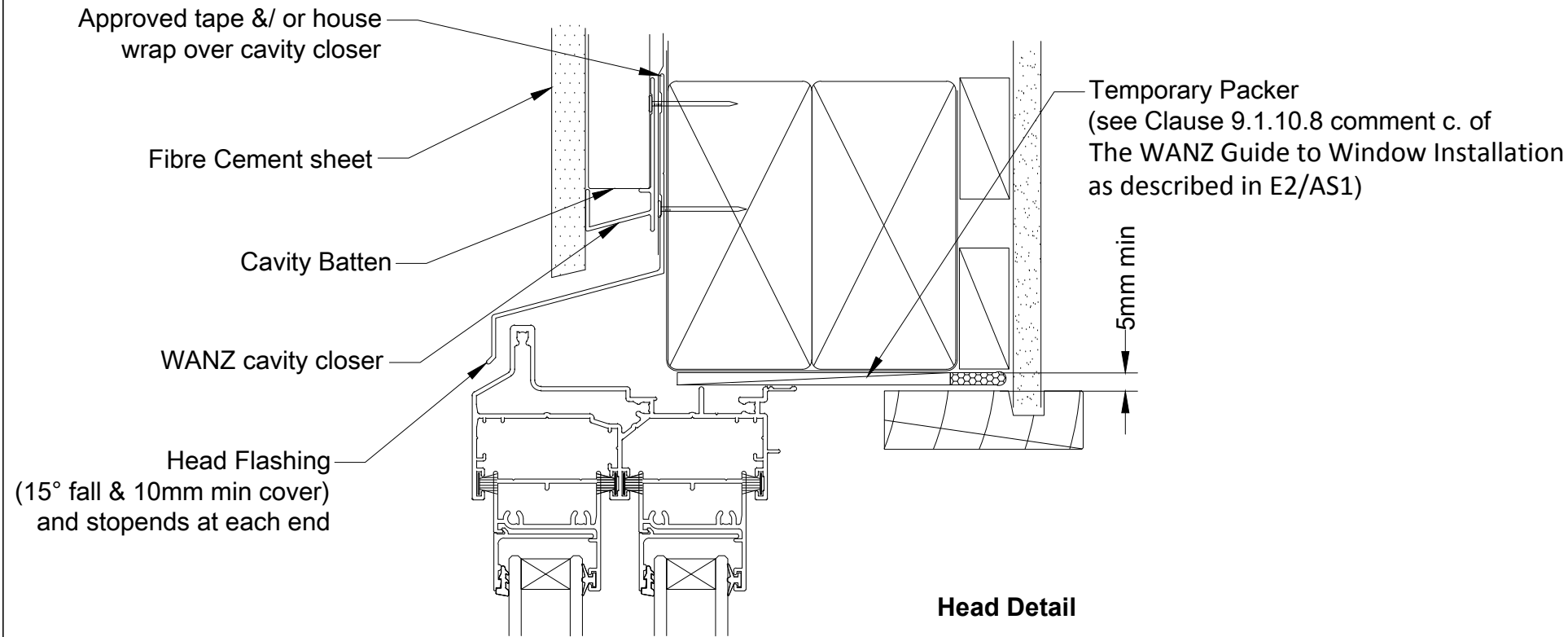
ISSUE:
No: 002

**WANZ WIS CAVITY CONSTRUCTION
FIBRE CEMENT SHEET - STACKER**

Page : ccFCSstk

OMEGA Windows & Doors Ltd.
36 Paraiti Road, Bell Block
Private Bag 2007
New Plymouth 4342
TEL: 0800 500 141
FAX: +64 6 755 9381
www.omegawindows.co.nz





DATE: 07/04/2015	WANZ WIS CAVITY CONSTRUCTION FIBRE CEMENT SHEET - SLIDING WINDOW
SCALE: 1:2 @ A3	
ISSUE: No: 002	
Page : ccFCSsw	

OMEGA Windows & Doors Ltd.
36 Paraiti Road, Bell Block
Private Bag 2007
New Plymouth 4342
TEL: 0800 500 141
FAX: +64 6 755 9381
www.omegawindows.co.nz



This document is intended as a guide only and is to be used in conjunction with The Wanz Guide to Window Installation as described in E2/AS1 Amendment 5 (see link below)
<http://www.wanz.org.nz/download/WANZ%20Guide%20to%20E2%20AS1%20Amd%206%20V1.3%20Dec%202014.pdf>