

DATE:  
07/04/2015

SCALE:  
1:2 @ A3

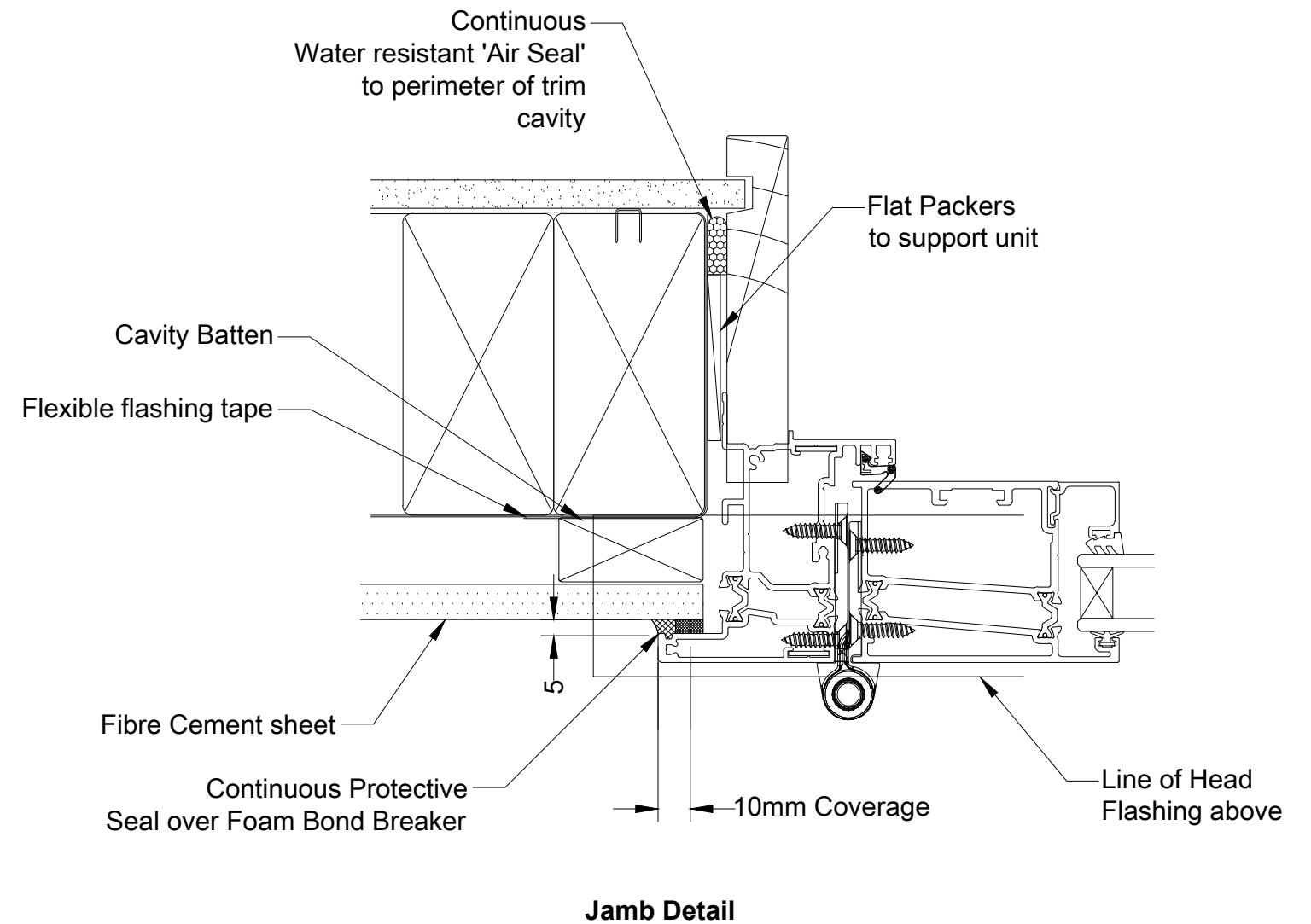
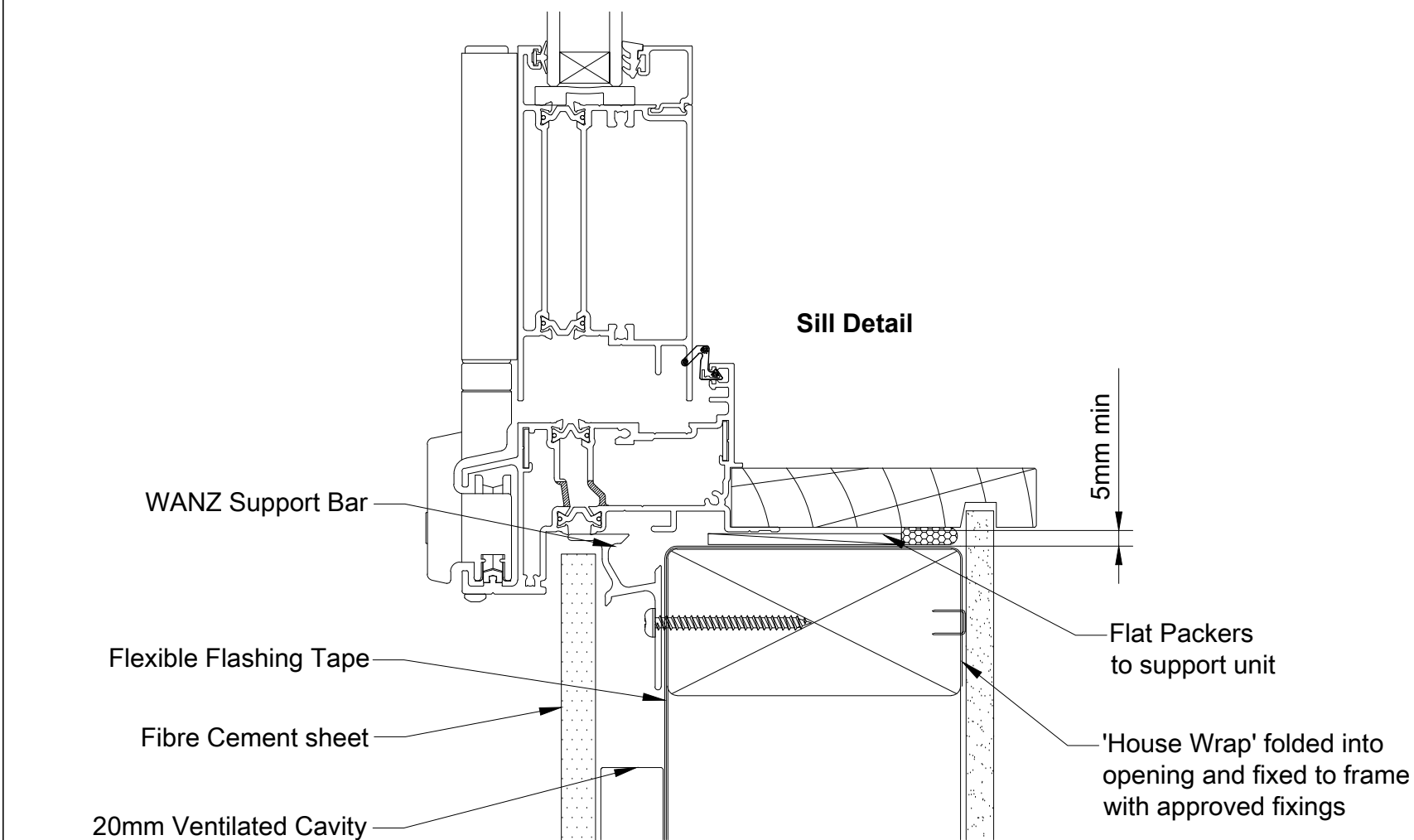
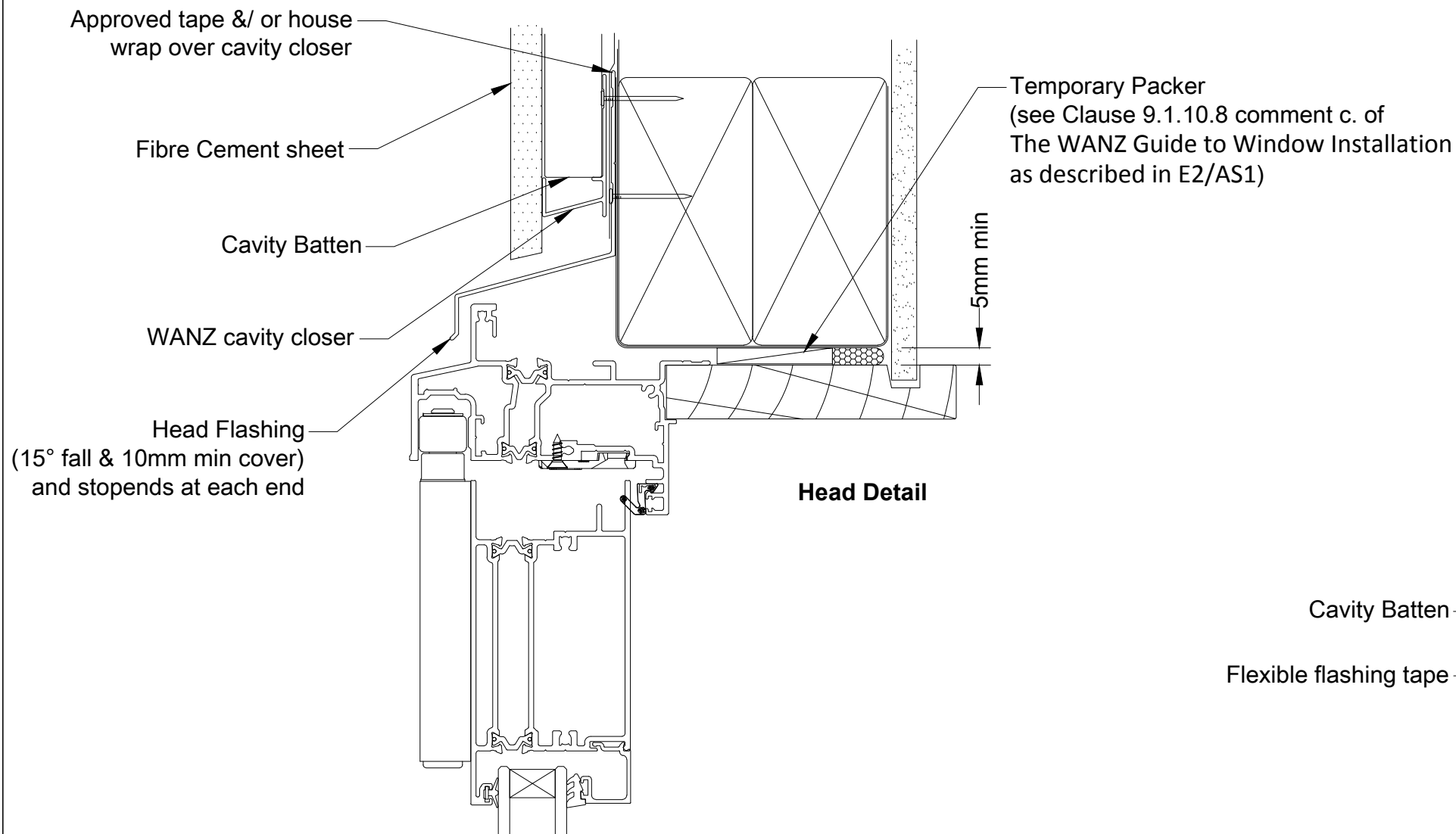
ISSUE:  
No: 002

**WANZ WIS CAVITY CONSTRUCTION  
FIBRE CEMENT SHEET - AWNING WINDOW**

Page : ccFCSTHRMaw

OMEGA Windows & Doors Ltd.  
36 Paraita Road, Bell Block  
Private Bag 2007  
New Plymouth 4342  
TEL: 0800 500 141  
FAX: +64 6 755 9381  
www.omegawindows.co.nz





DATE:  
07/04/2015

SCALE:  
1:2 @ A3

ISSUE:  
No: 002

**WANZ WIS CAVITY CONSTRUCTION  
FIBRE CEMENT SHEET - BI FOLD WINDOW**

Page : ccFCSTHRMbw

OMEGA Windows & Doors Ltd.  
36 Paraiti Road, Bell Block  
Private Bag 2007  
New Plymouth 4342  
TEL: 0800 500 141  
FAX: +64 6 755 9381  
www.omegawindows.co.nz



Approved tape &/ or house wrap over cavity closer

Fibre Cement sheet

Cavity Batten

WANZ cavity closer

Head Flashing

(15° fall & 10mm min cover) and stopends at each end

Temporary Packer  
(see Clause 9.1.10.8 comment c. of The WANZ Guide to Window Installation as described in E2/AS1)

**Head Detail**

Continuous Water resistant 'Air Seal' to perimeter of trim cavity

Flat Packers to support unit

Cavity Batten

Flexible flashing tape

Fibre Cement sheet

Continuous Protective Seal over Foam Bond Breaker

10mm Coverage

Line of Head Flashing above

**Jamb Detail**

**Sill Detail**

5mm min

Flat Packers to support unit

WANZ Support Bar

Approved Waterproofing System

DATE:  
07/04/2015  
SCALE:  
1:2 @ A3  
ISSUE:  
No: 002

**WANZ WIS CAVITY CONSTRUCTION  
FIBRE CEMENT SHEET - HINGED DOOR**

Page : ccFCSTHRMhd

OMEGA Windows & Doors Ltd.  
36 Paraiti Road, Bell Block  
Private Bag 2007  
New Plymouth 4342  
TEL: 0800 500 141  
FAX: +64 6 755 9381  
www.omegawindows.co.nz



This document is intended as a guide only and is to be used in conjunction with The WANZ Guide to Window Installation as described in E2/AS1 Amendment 5 (see link below) <http://www.wanz.org.nz/download/WANZ%20Guide%20to%20E2%20AS1%20Amd%206%20V1.3%20Dec%202014.pdf>

Approved tape &/ or house wrap over cavity closer

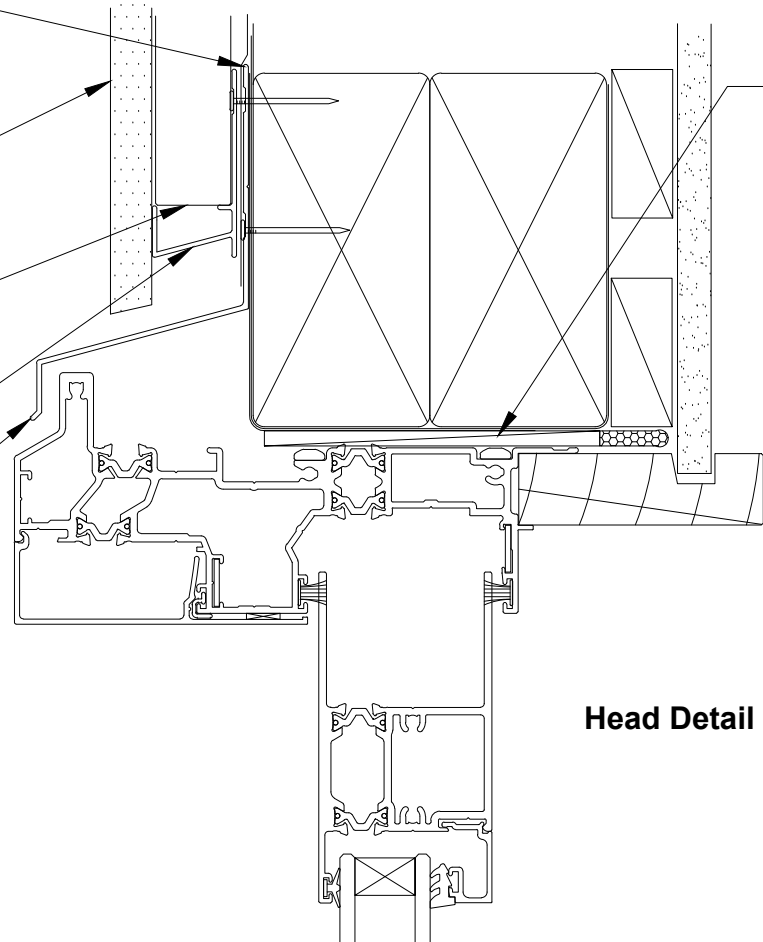
Fibre Cement sheet

Cavity Batten

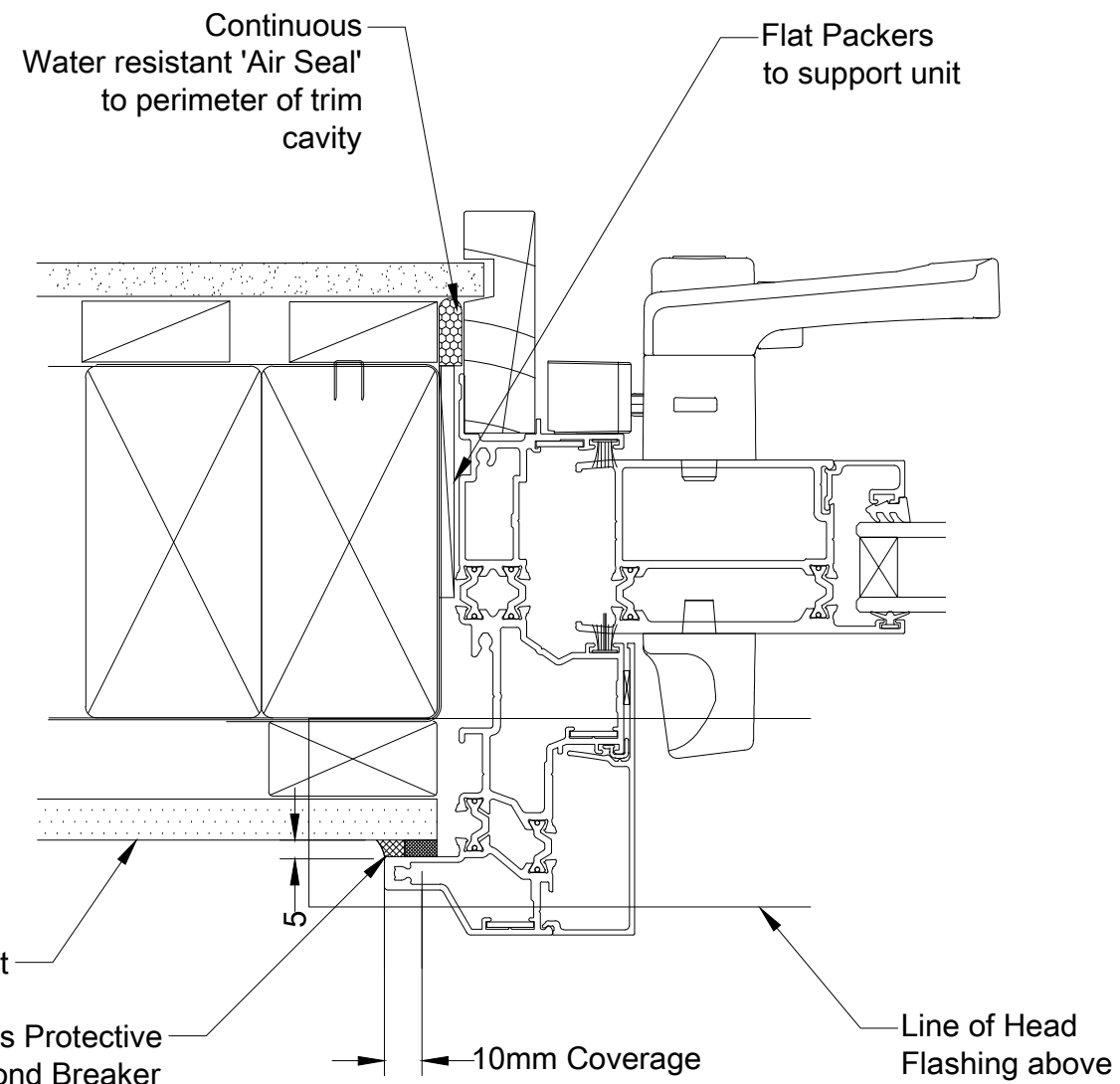
WANZ cavity closer

Temporary Packer  
(see Clause 9.1.10.8 comment c. of  
The WANZ Guide to Window Installation  
as described in E2/AS1)

Head Flashing  
(15° fall & 10mm min cover)  
and stopends at each end

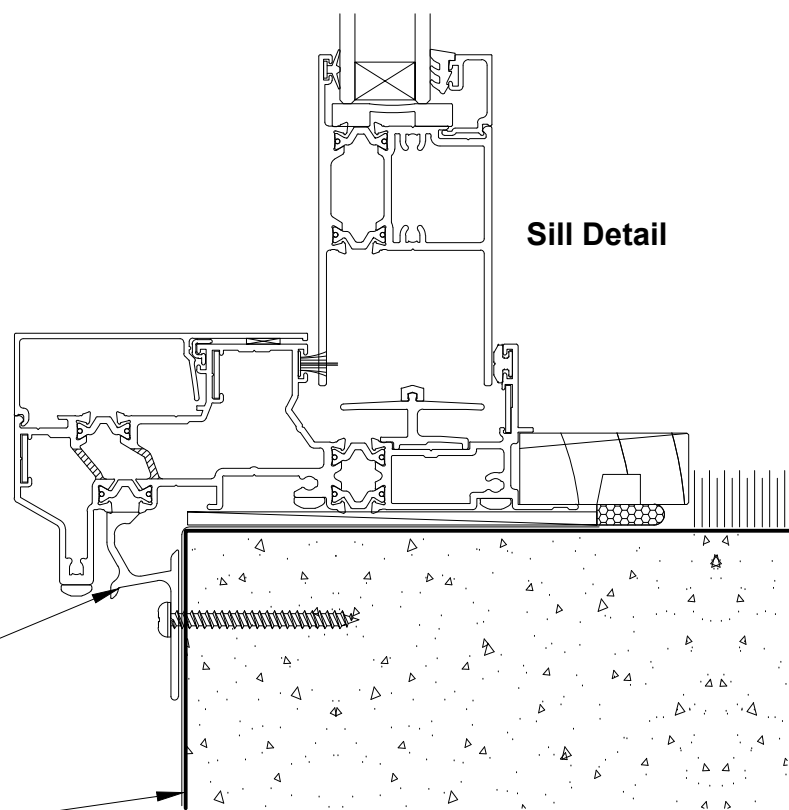


**Head Detail**



**Jamb Detail**

**Sill Detail**



WANZ Support Bar

Approved  
Waterproofing System

DATE:  
07/04/2015

SCALE:  
1:2 @ A3

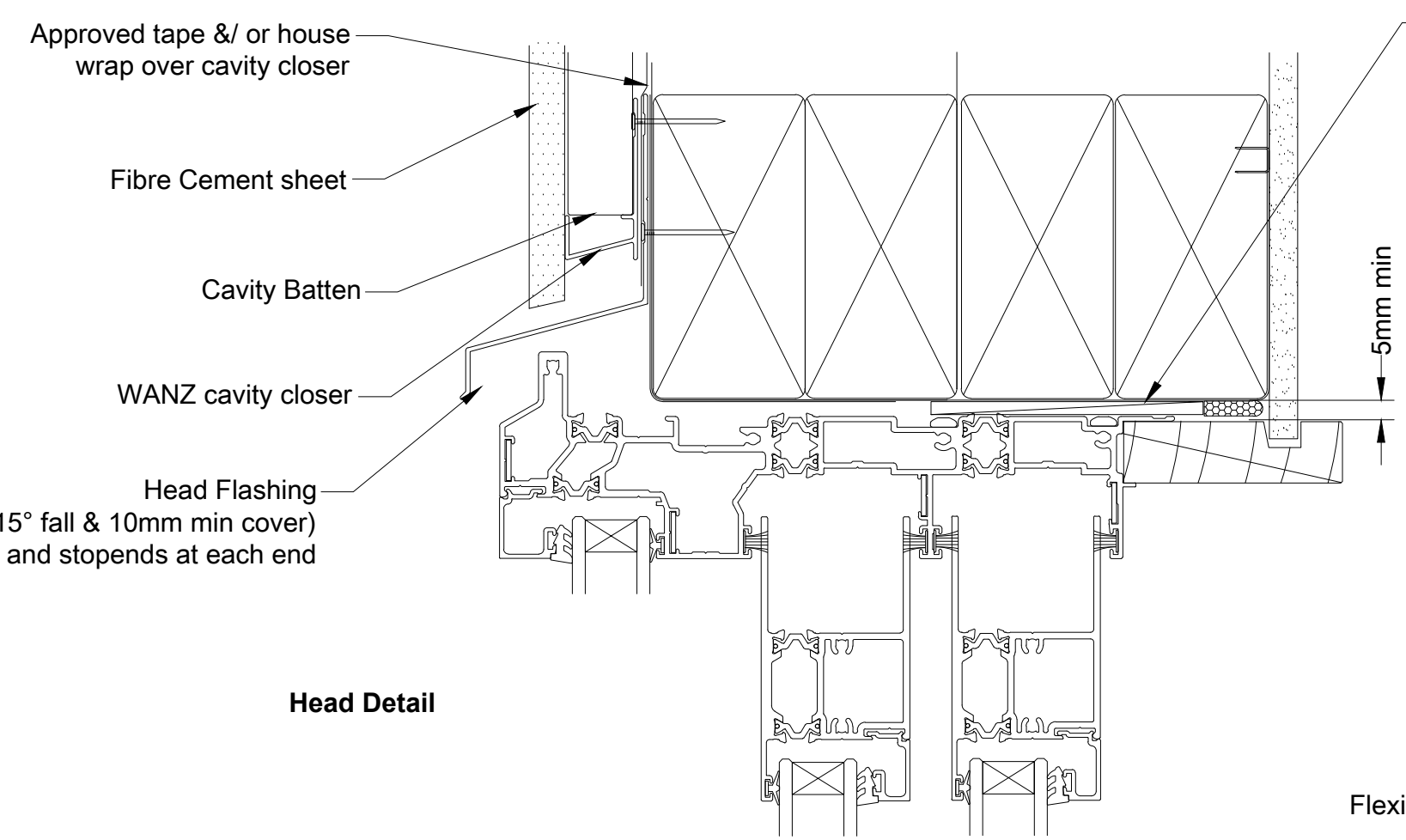
ISSUE:  
No: 002

**WANZ WIS CAVITY CONSTRUCTION  
FIBRE CEMENT SHEET - SLIDING DOOR**

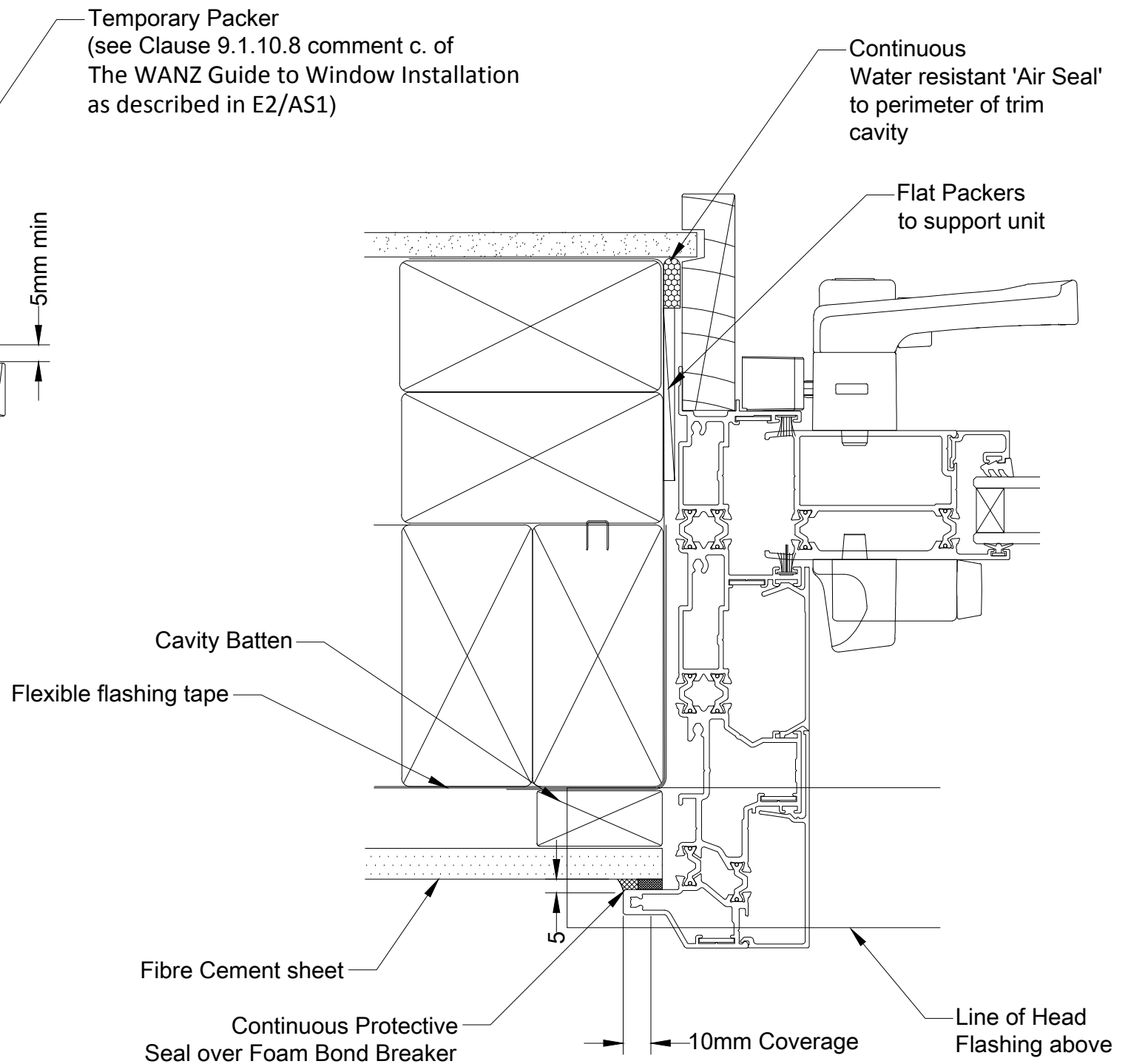
Page : ccFCSTHRMslid

OMEGA Windows & Doors Ltd.  
36 Paraiti Road, Bell Block  
Private Bag 2007  
New Plymouth 4342  
TEL: 0800 500 141  
FAX: +64 6 755 9381  
www.omegawindows.co.nz

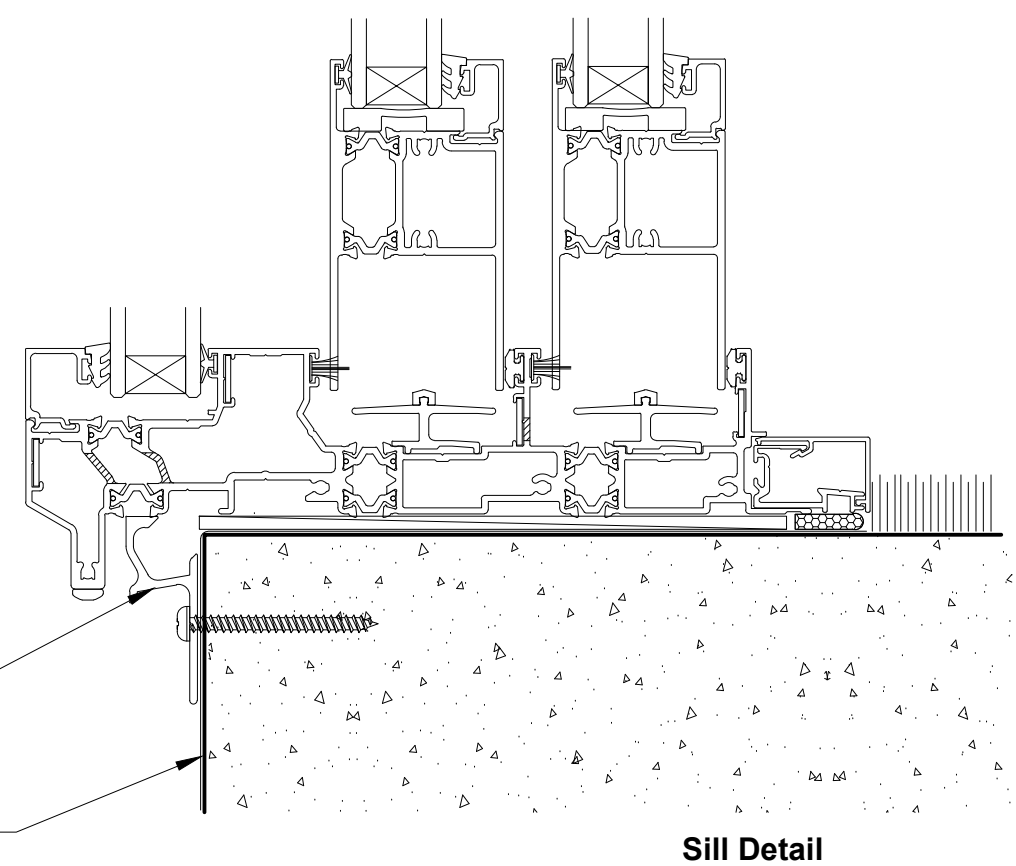




**Head Detail**



**Jamb Detail**



**Sill Detail**

DATE:  
07/04/2015

SCALE:  
1:2 @ A3

ISSUE:  
No: 002

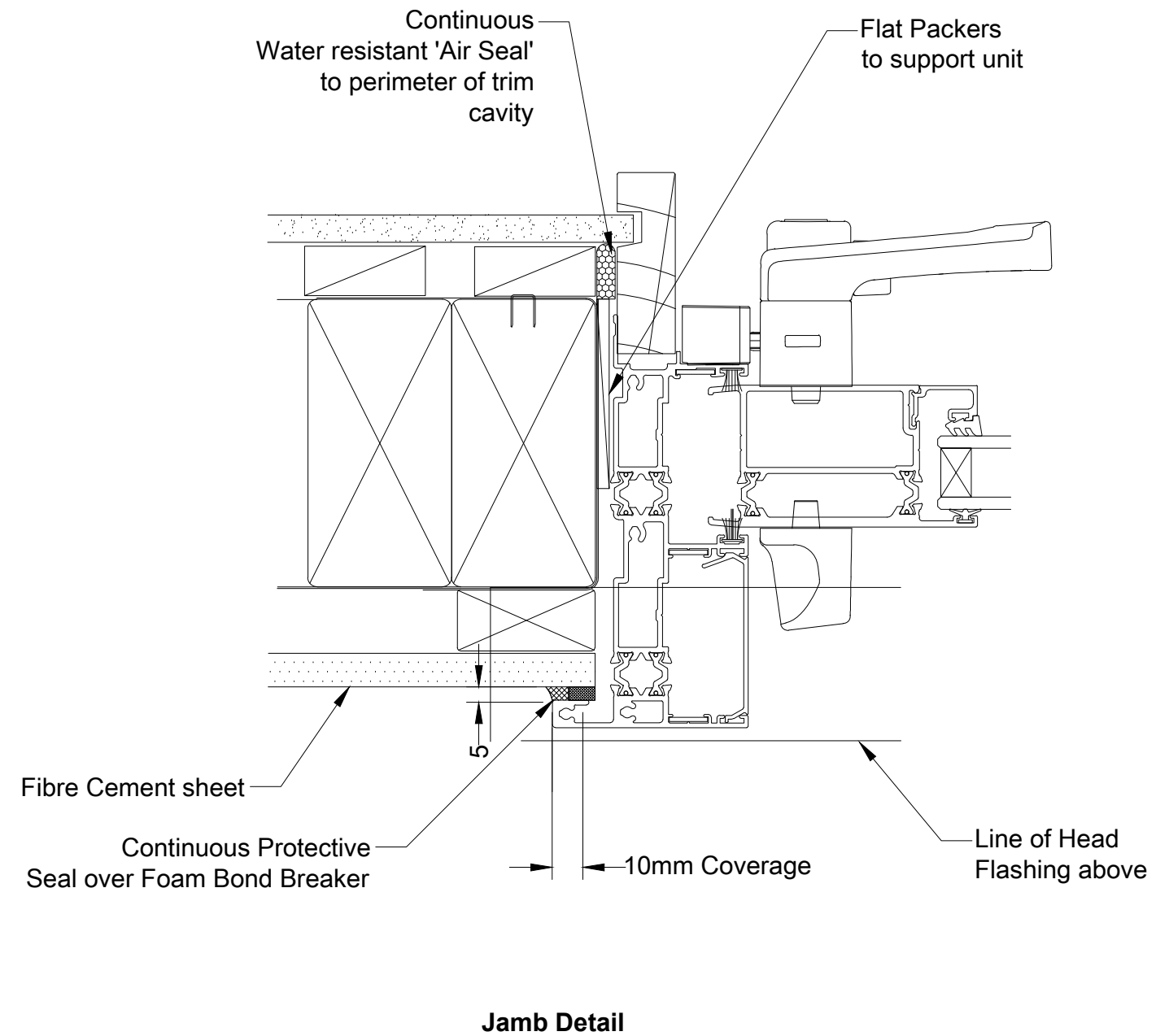
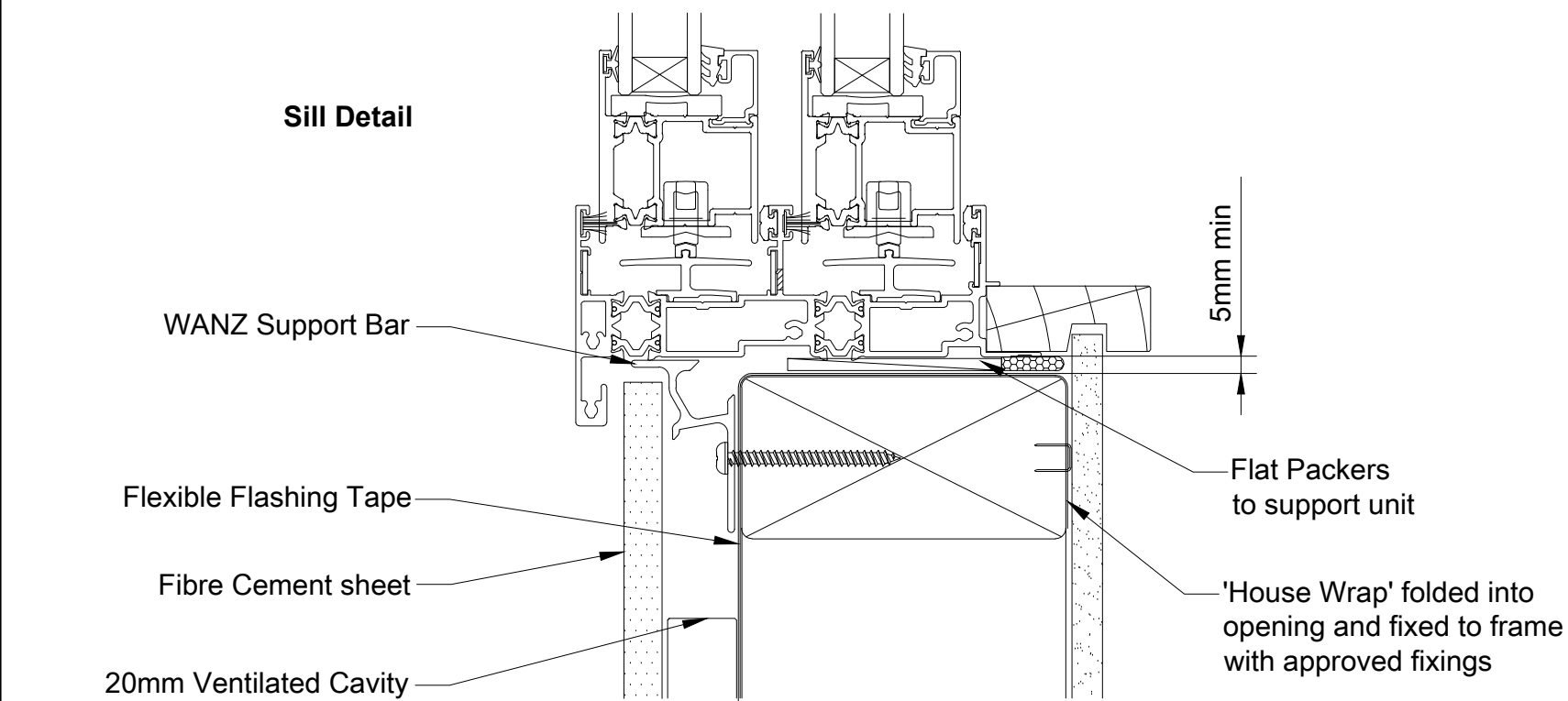
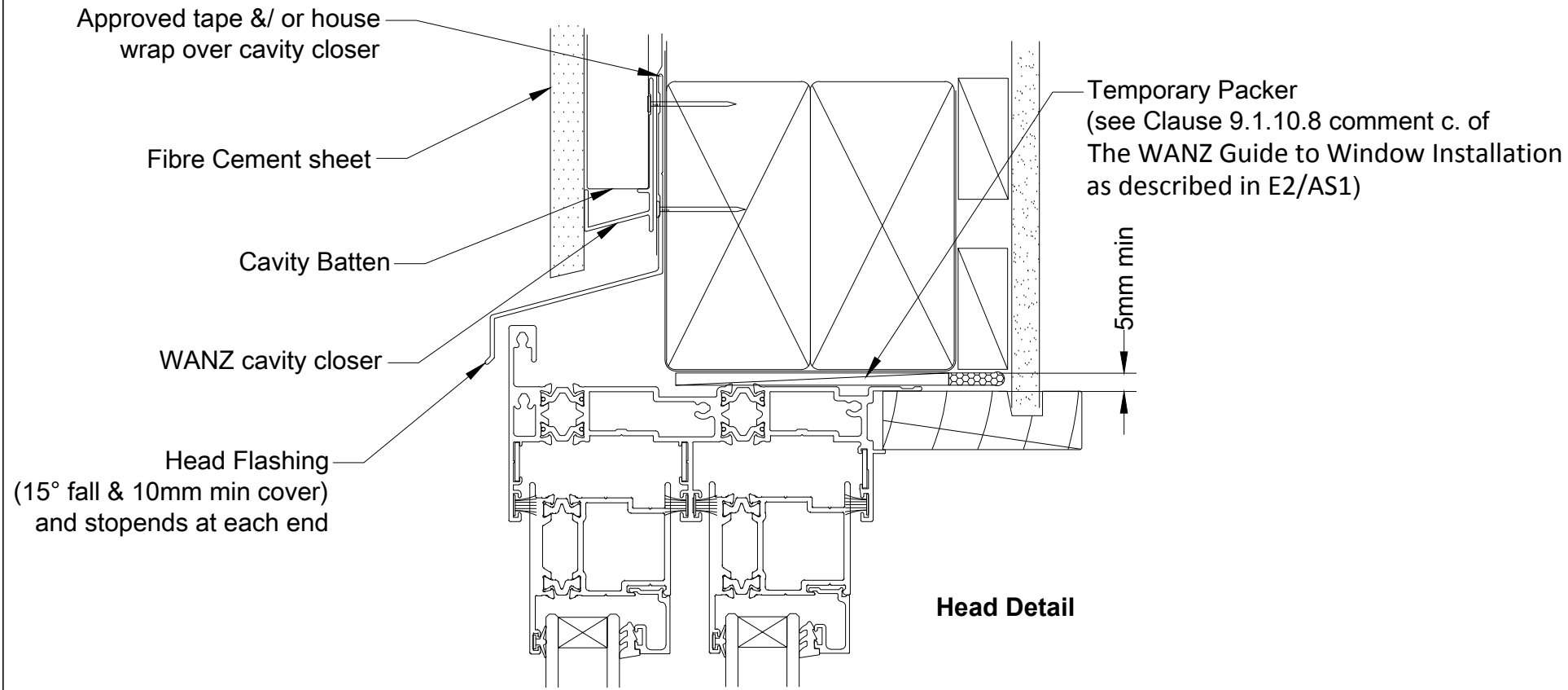
**WANZ WIS CAVITY CONSTRUCTION  
FIBRE CEMENT SHEET - STACKER**

Page : ccFCSTHRMstk

OMEGA Windows & Doors Ltd.  
36 Paraiti Road, Bell Block  
Private Bag 2007  
New Plymouth 4342  
TEL: 0800 500 141  
FAX: +64 6 755 9381  
www.omegawindows.co.nz



This document is intended as a guide only and is to be used in conjunction with The Wanz Guide to Window Installation as described in E2/AS1 Amendment 5 (see link below) <http://www.wanz.org.nz/download/WANZ%20Guide%20to%20E2%20AS1%20Amd%206%20V1.3%20Dec%202014.pdf>



DATE:  
07/04/2015

SCALE:  
1:2 @ A3

ISSUE:  
No: 002

**WANZ WIS CAVITY CONSTRUCTION  
FIBRE CEMENT SHEET - SLIDING WINDOW**

Page : ccFCSTHRMsw

OMEGA Windows & Doors Ltd.  
36 Paraiti Road, Bell Block  
Private Bag 2007  
New Plymouth 4342  
TEL: 0800 500 141  
FAX: +64 6 755 9381  
www.omegawindows.co.nz

