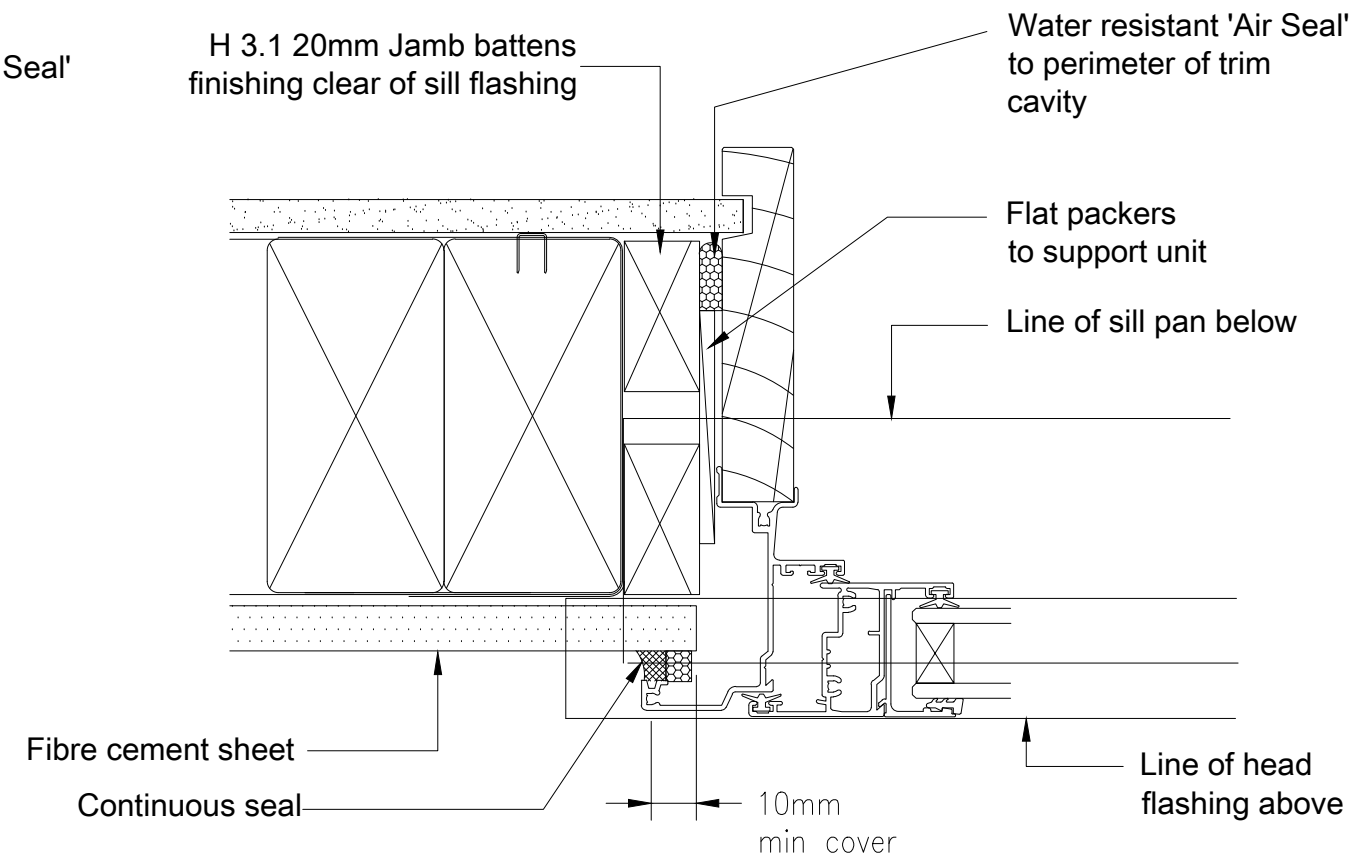
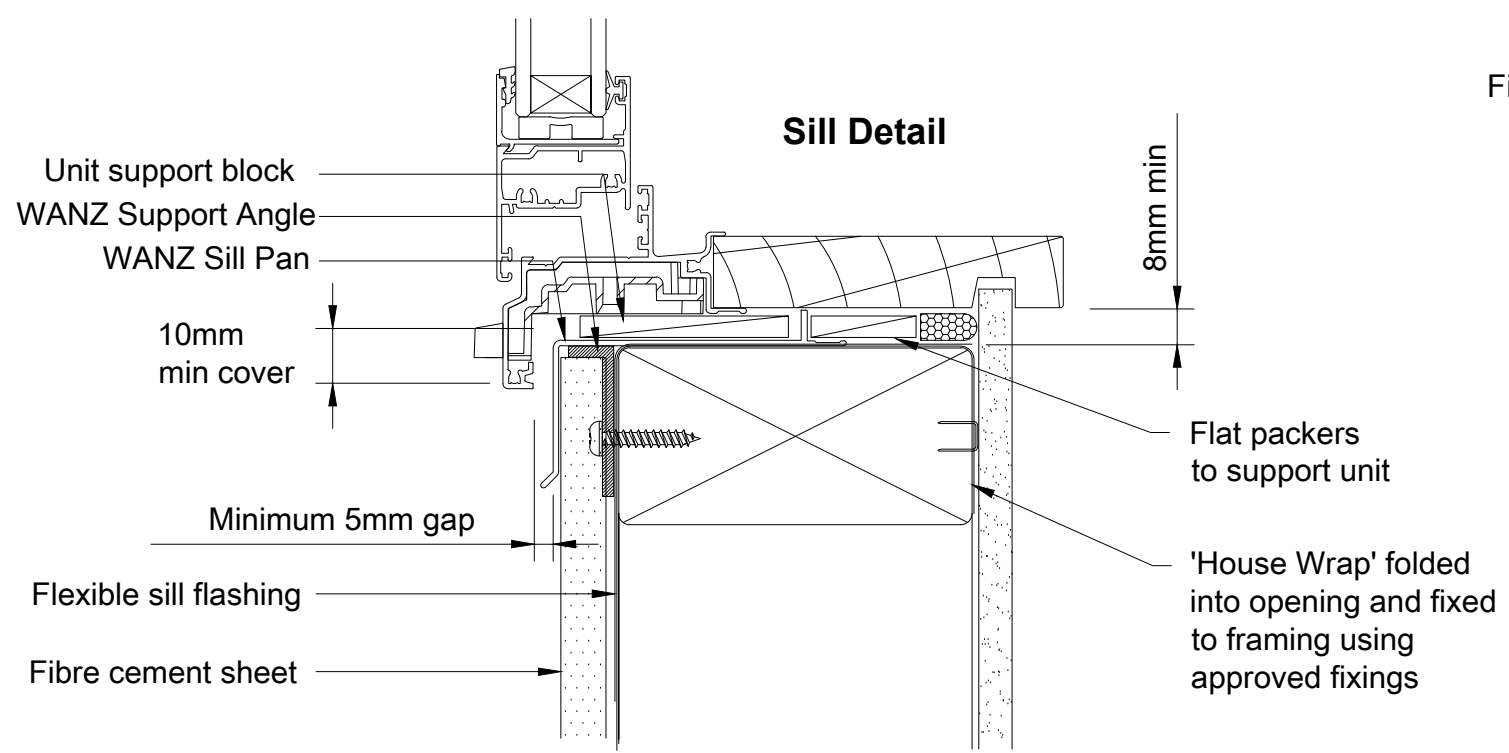


Head Detail

Note :
 Jamb battens are fitted after all of the trim preparation has been completed, including flashing tape, sill tray flashing and end stops.
 Jamb battens are to be full height.
 If jamb battens do not span the width of the framing then position them to align with the inner and outer faces.



Jamb Detail



Sill Detail

DATE:
07/04/2015

SCALE:
1:2 @ A3

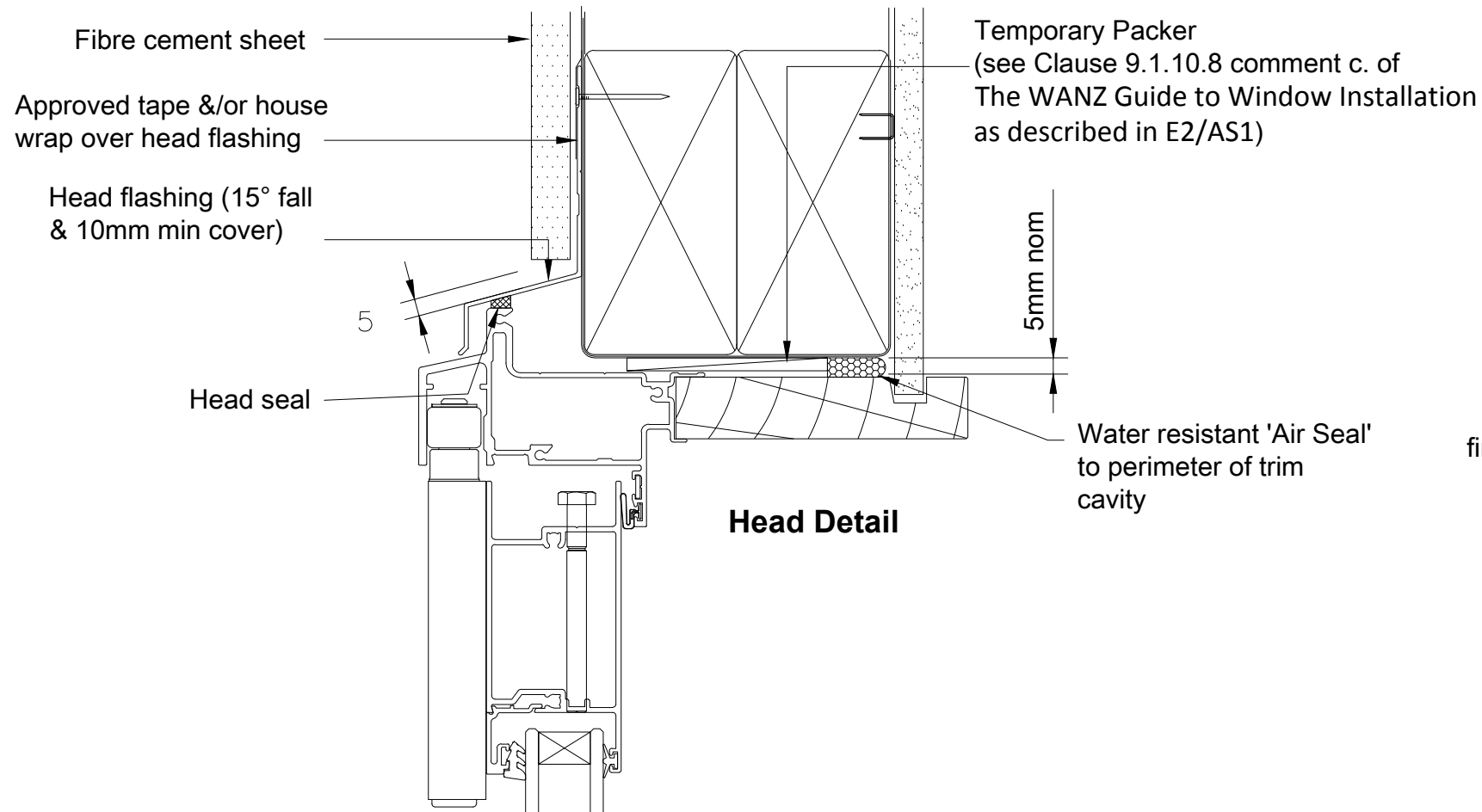
ISSUE:
No: 002

**WANZ WIS DIRECT FIX
 FIBRE CEMENT SHEET - AWNING WINDOW**

Page : dfFCSaw

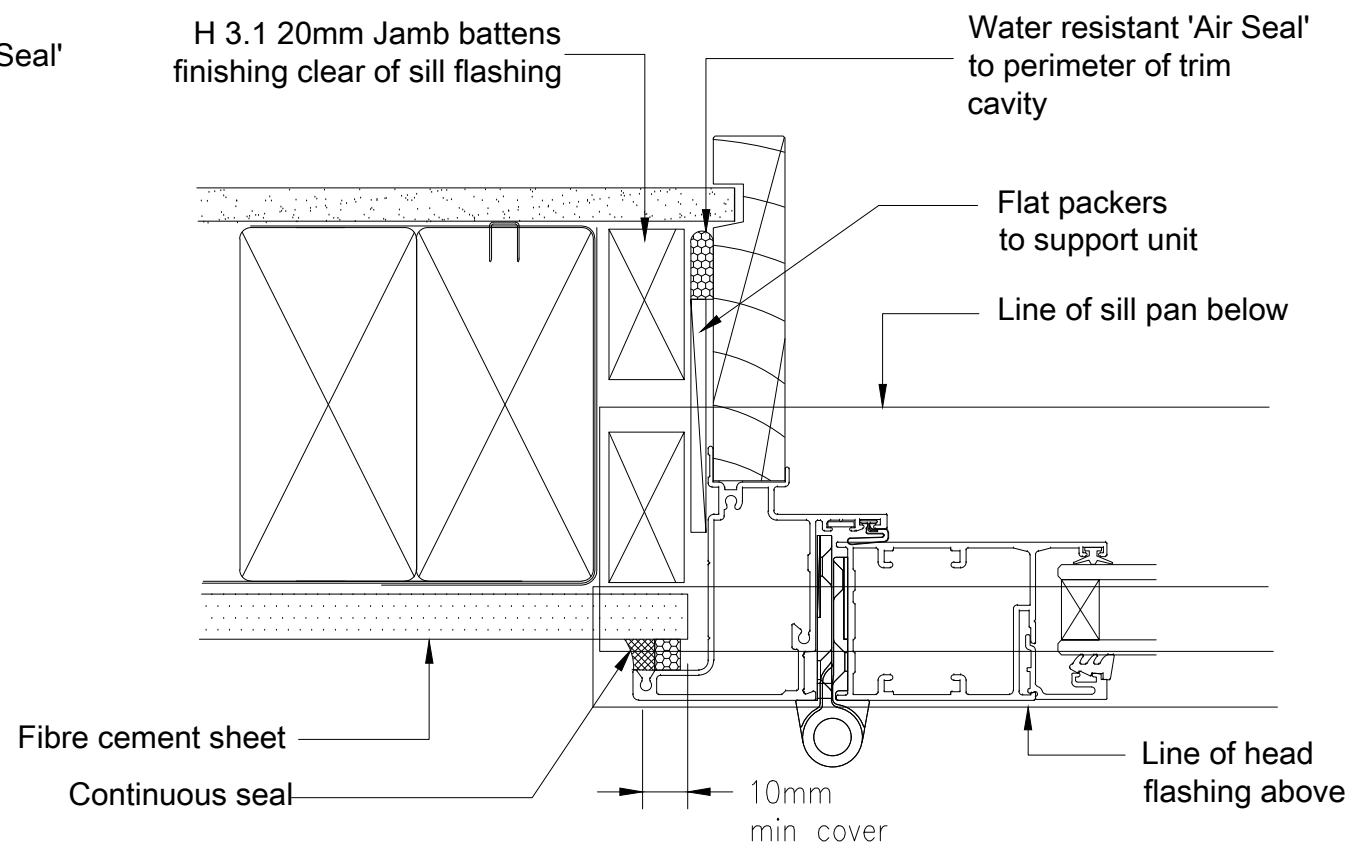
OMEGA Windows & Doors Ltd.
 36 Paraiti Road, Bell Block
 Private Bag 2007
 New Plymouth 4342
 TEL: 0800 500 141
 FAX: +64 6 755 9381
 www.omegawindows.co.nz



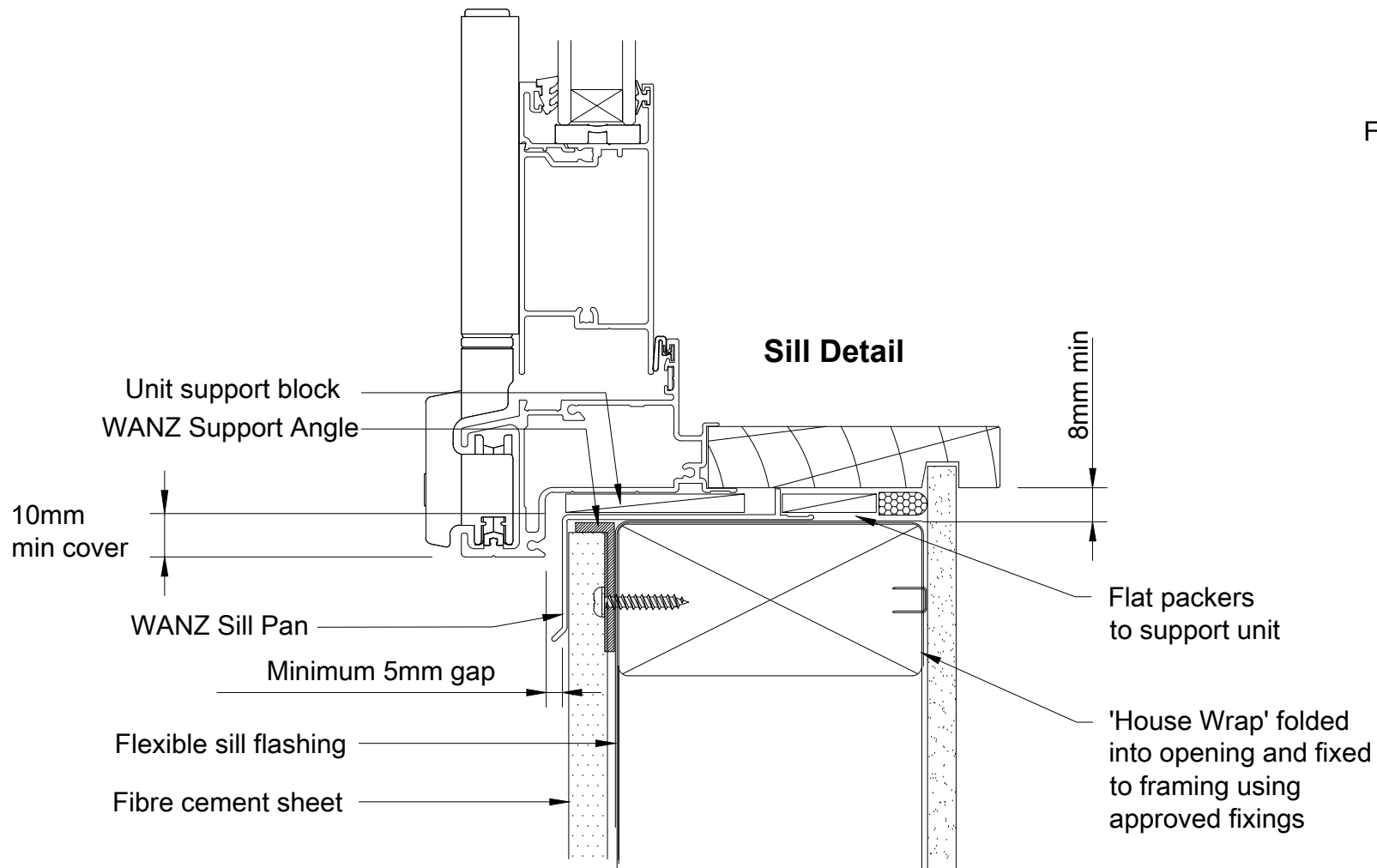


Head Detail

Note :
 Jamb battens are fitted after all of the trim preparation has been completed, including flashing tape, sill tray flashing and end stops.
 Jamb battens are to be full height.
 If jamb battens do not span the width of the framing then position them to align with the inner and outer faces.



Jamb Detail



Sill Detail

DATE:
07/04/2015

SCALE:
1:2 @ A3

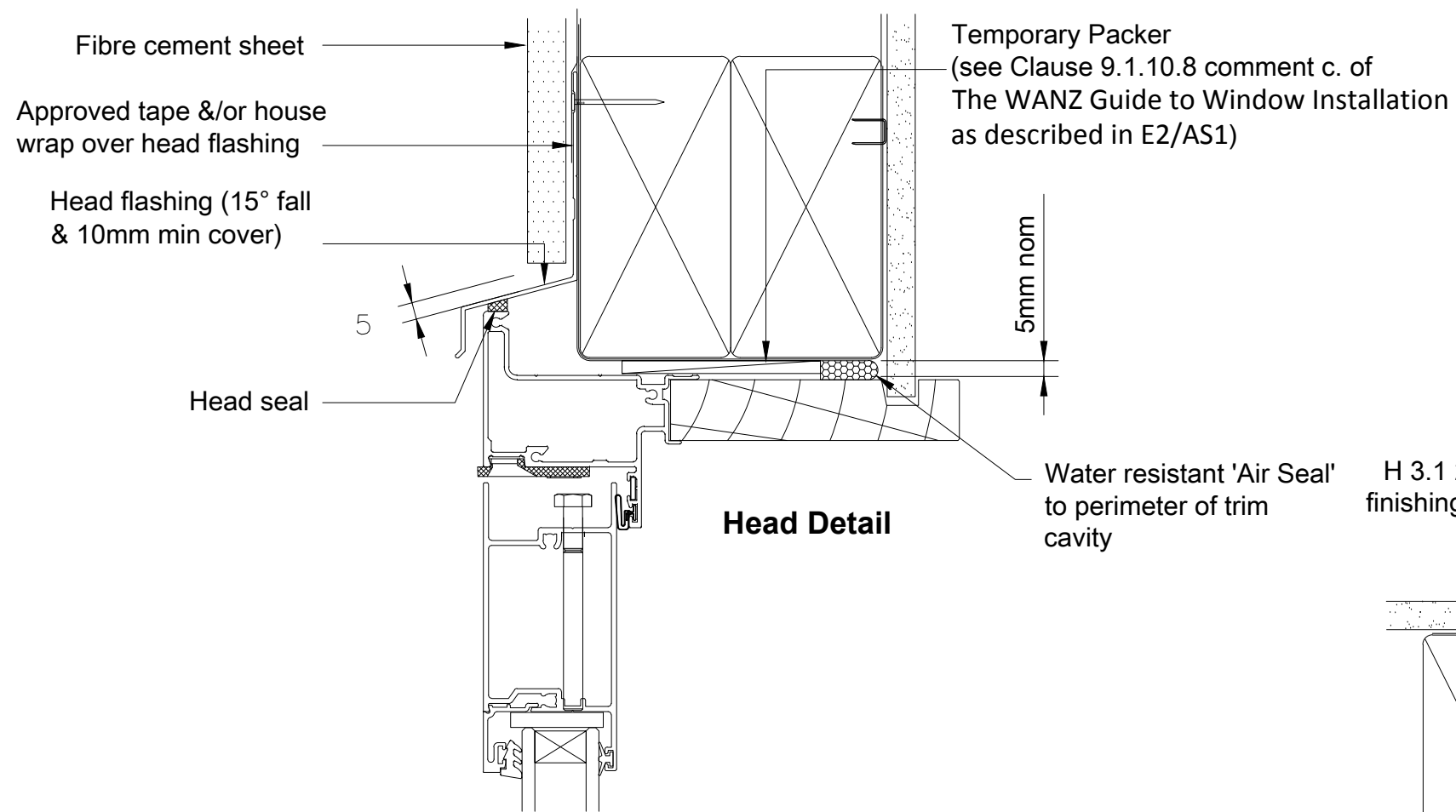
ISSUE:
No: 002

**WANZ WIS DIRECT FIX
 FIBRE CEMENT SHEET - BI FOLD WINDOW**

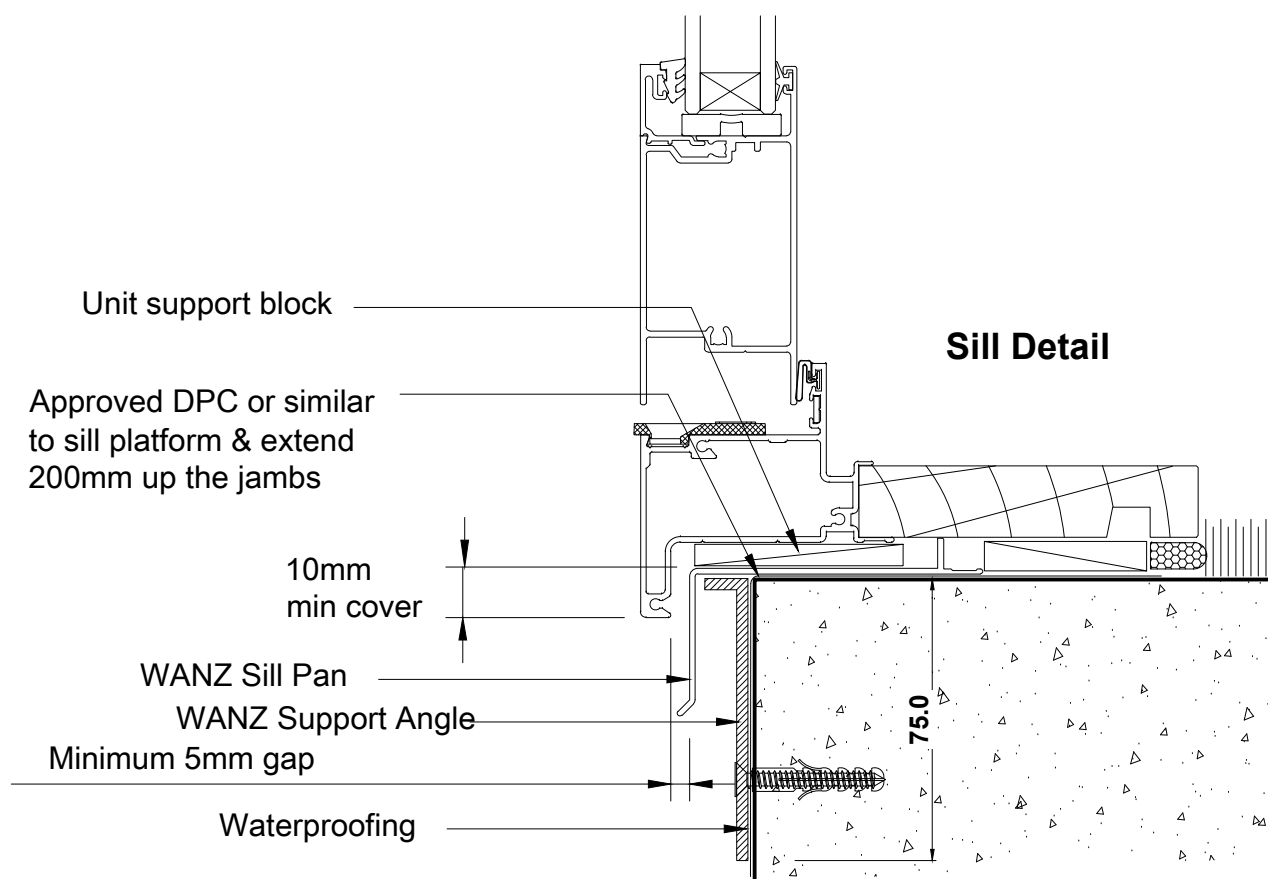
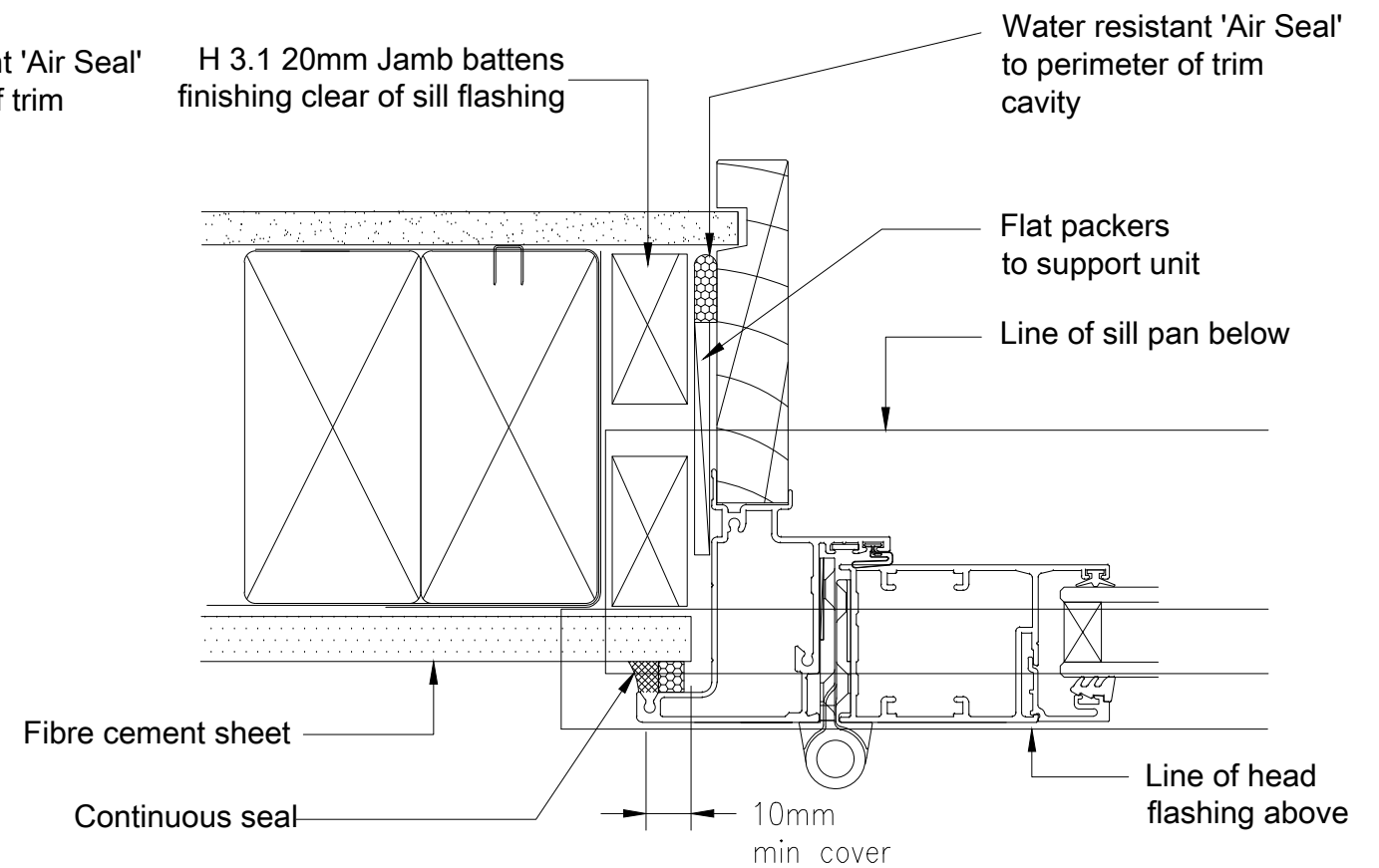
Page : dfFCSbw

OMEGA Windows & Doors Ltd.
 36 Paraiti Road, Bell Block
 Private Bag 2007
 New Plymouth 4342
 TEL: 0800 500 141
 FAX: +64 6 755 9381
 www.omegawindows.co.nz





Note :
Jamb battens are fitted after all of the trim preparation has been completed, including flashing tape, sill tray flashing and end stops.
Jamb battens are to be full height.
If jamb battens do not span the width of the framing then position them to align with the inner and outer faces.



DATE:
07/04/2015

SCALE:
1:2 @ A3

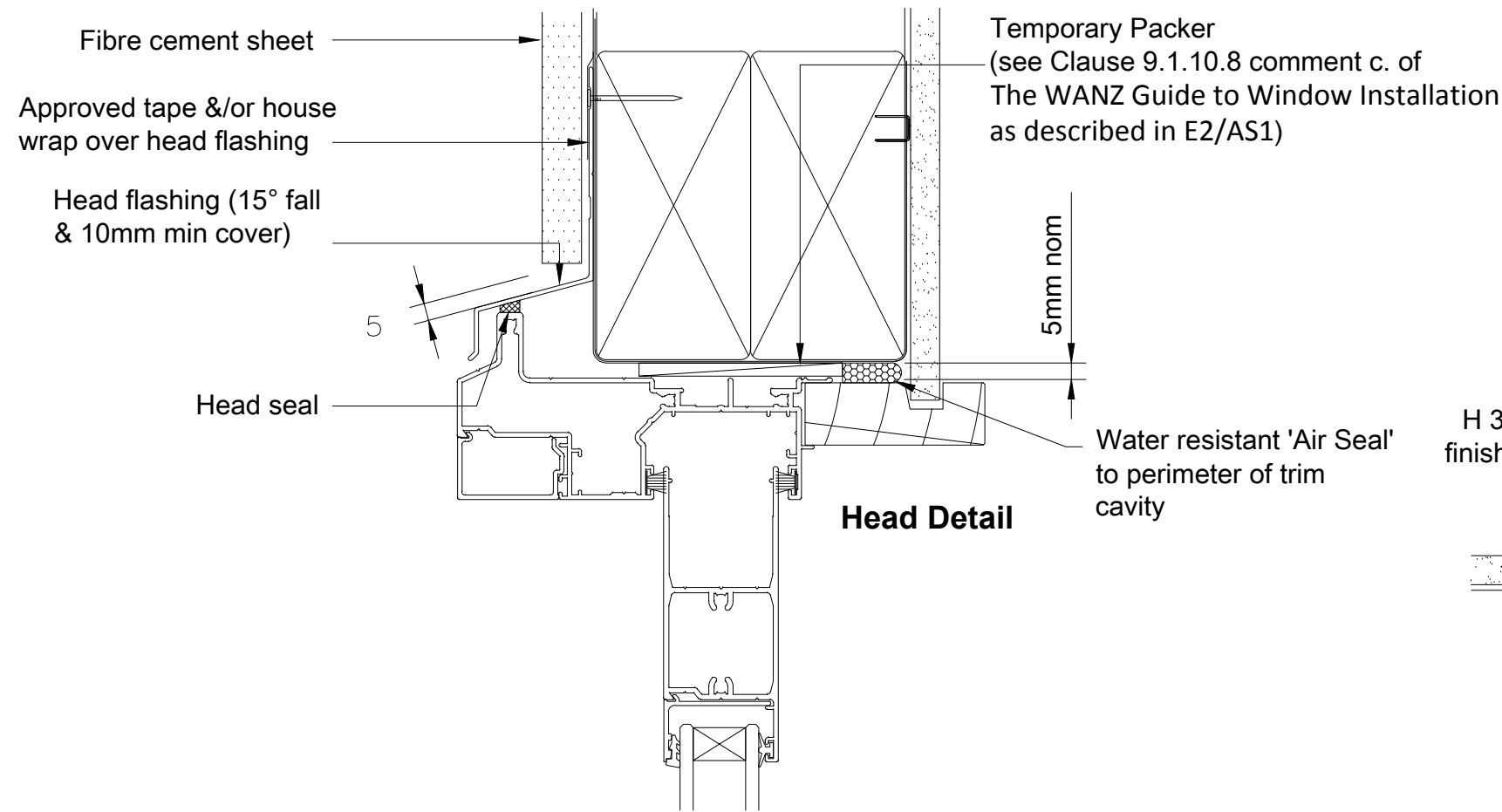
ISSUE:
No: 003

**WANZ WIS DIRECT FIX
FIBRE CEMENT SHEET - HINGED DOOR**

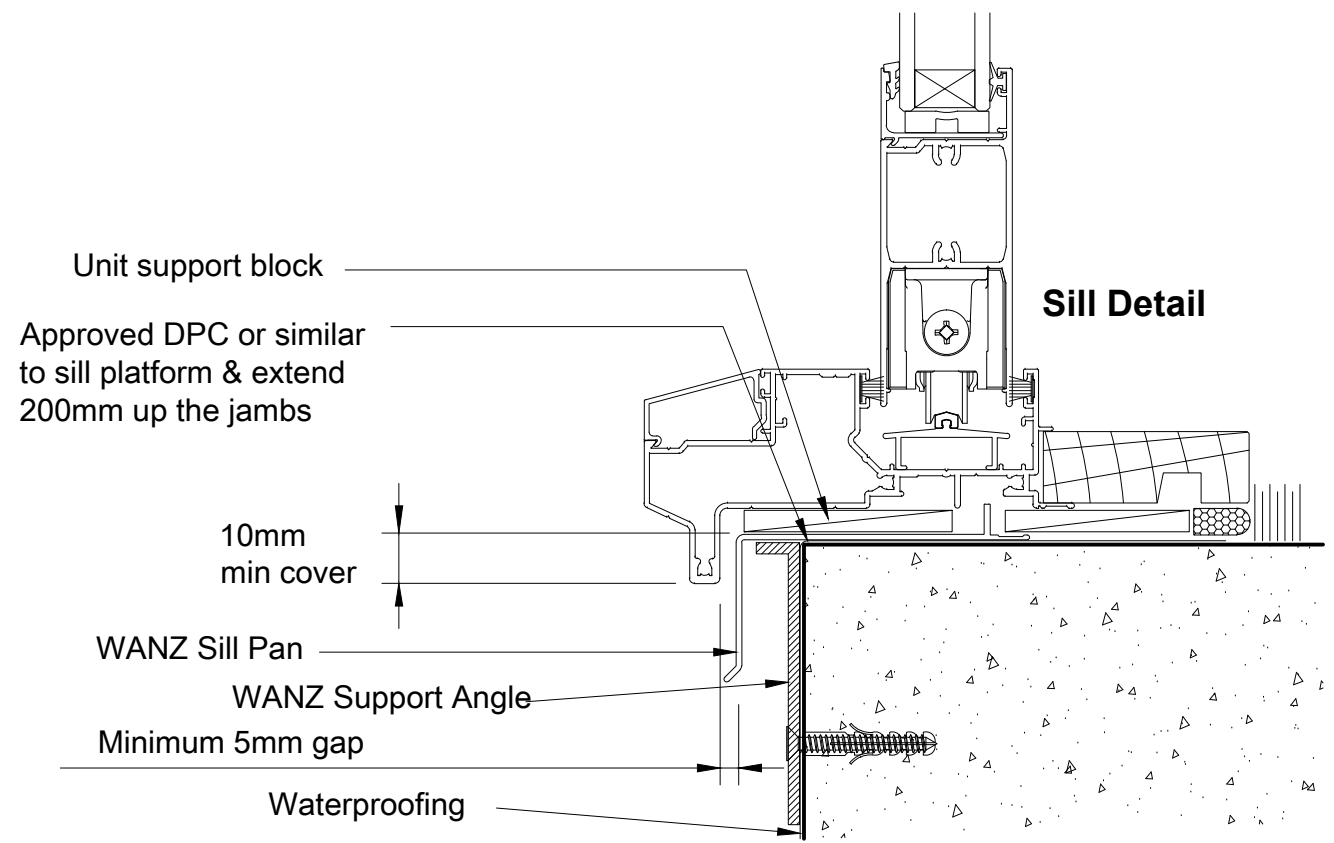
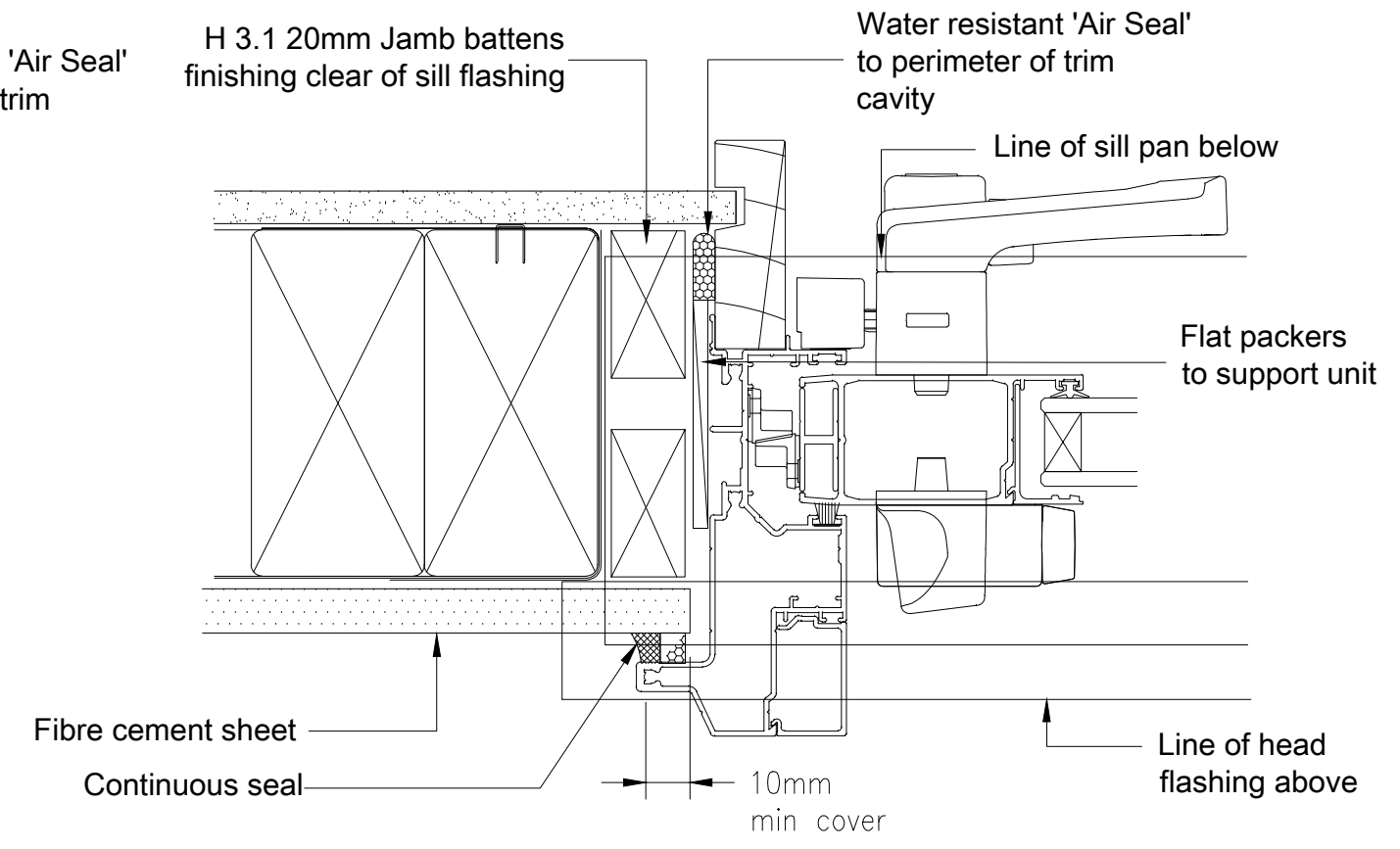
Page : dfFCShd

OMEGA Windows & Doors Ltd.
36 Paraiti Road, Bell Block
Private Bag 2007
New Plymouth 4342
TEL: 0800 500 141
FAX: +64 6 755 9381
www.omegawindows.co.nz





Note :
Jamb battens are fitted after all of the trim preparation has been completed, including flashing tape, sill tray flashing and end stops.
Jamb battens are to be full height.
If jamb battens do not span the width of the framing then position them to align with the inner and outer faces.



DATE:
07/04/2015

SCALE:
1:2 @ A3

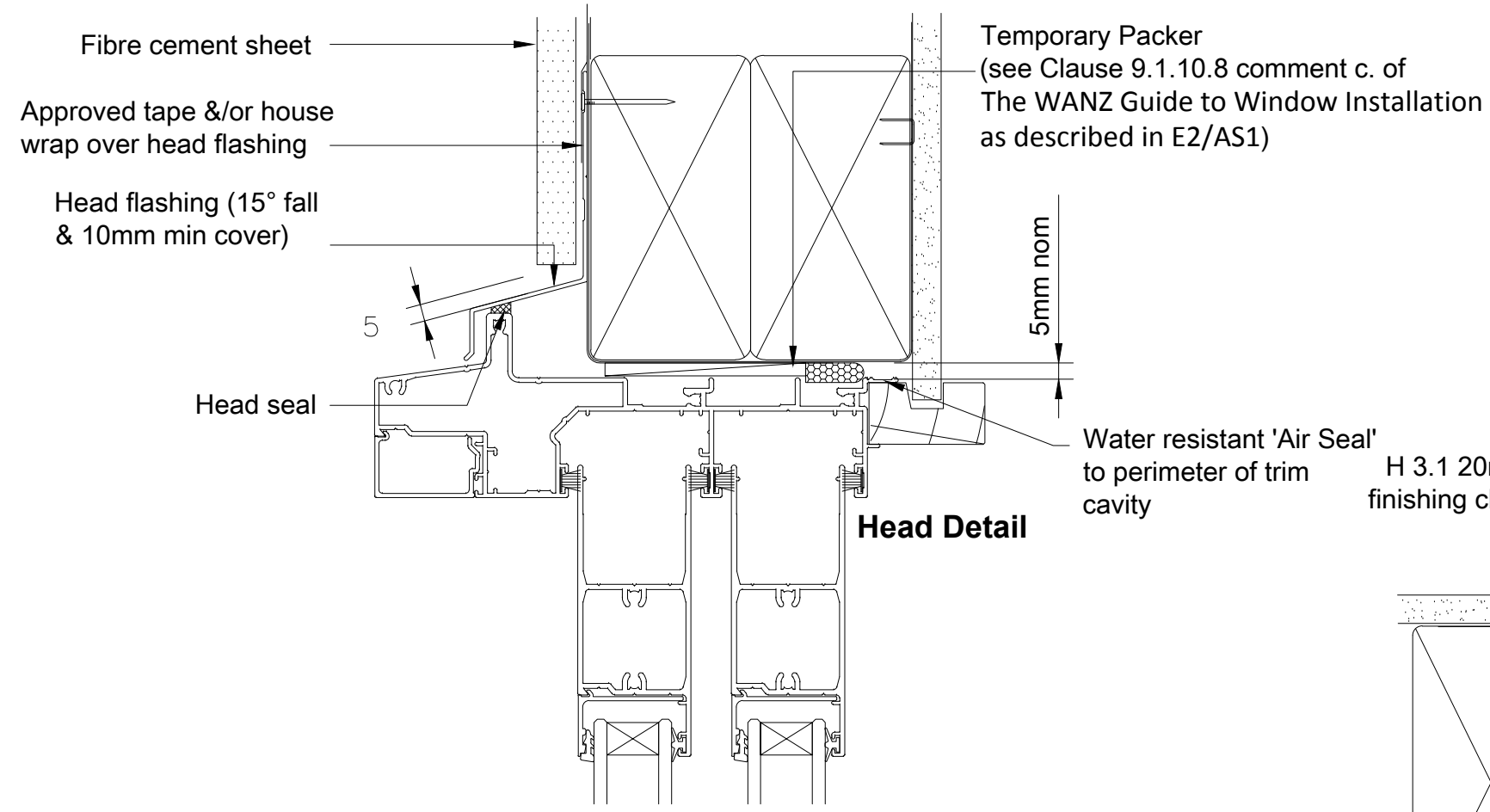
ISSUE:
No: 003

**WANZ WIS DIRECT FIX
FIBRE CEMENT SHEET - SLIDING DOOR**

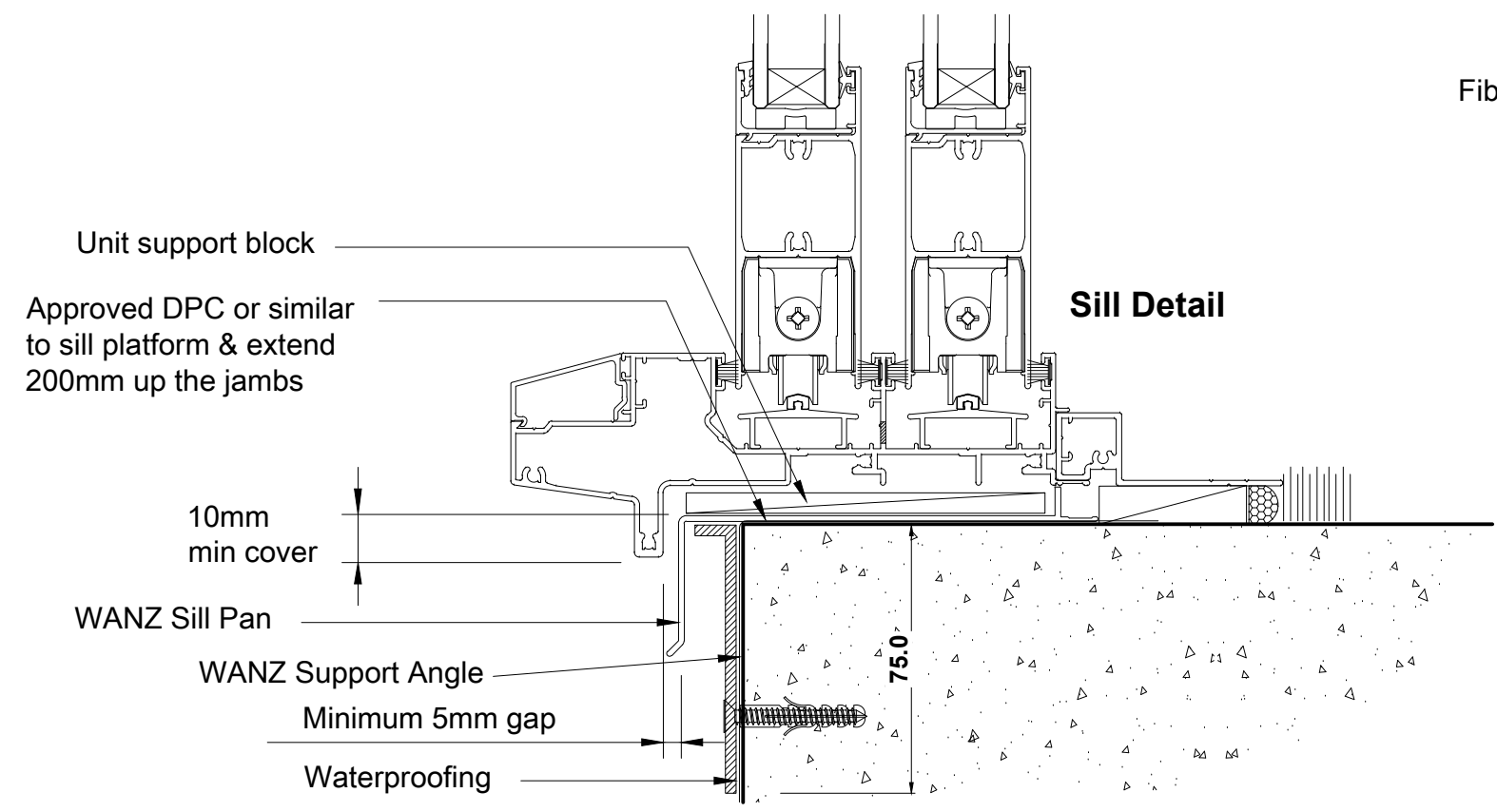
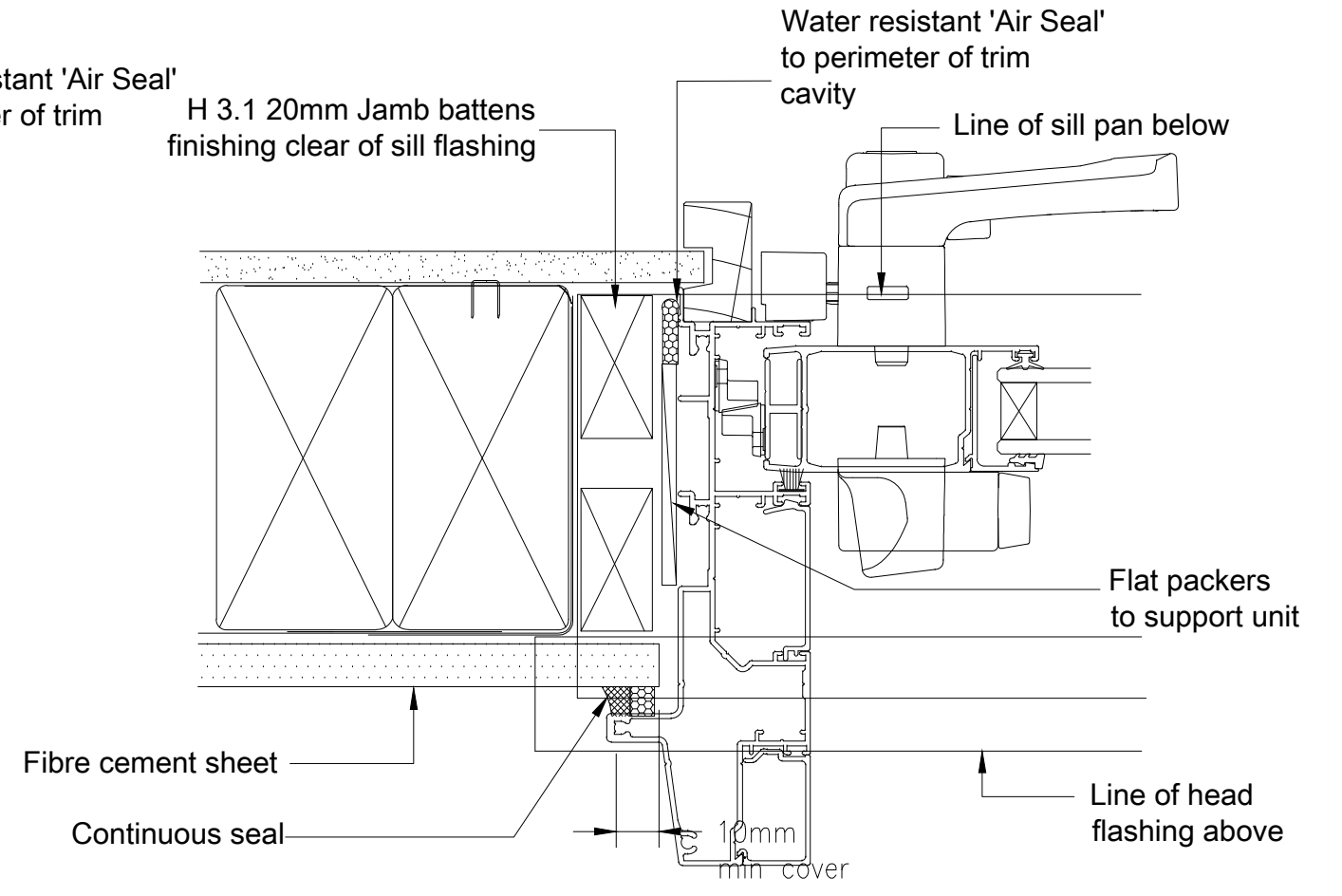
Page : dfFCSsld

OMEGA Windows & Doors Ltd.
36 Paraiti Road, Bell Block
Private Bag 2007
New Plymouth 4342
TEL: 0800 500 141
FAX: +64 6 755 9381
www.omegawindows.co.nz





Note :
 Jamb battens are fitted after all of the trim preparation has been completed, including flashing tape, sill tray flashing and end stops.
 Jamb battens are to be full height.
 If jamb battens do not span the width of the framing then position them to align with the inner and outer faces.



DATE:
07/04/2015

SCALE:
1:2 @ A3

ISSUE:
No: 003

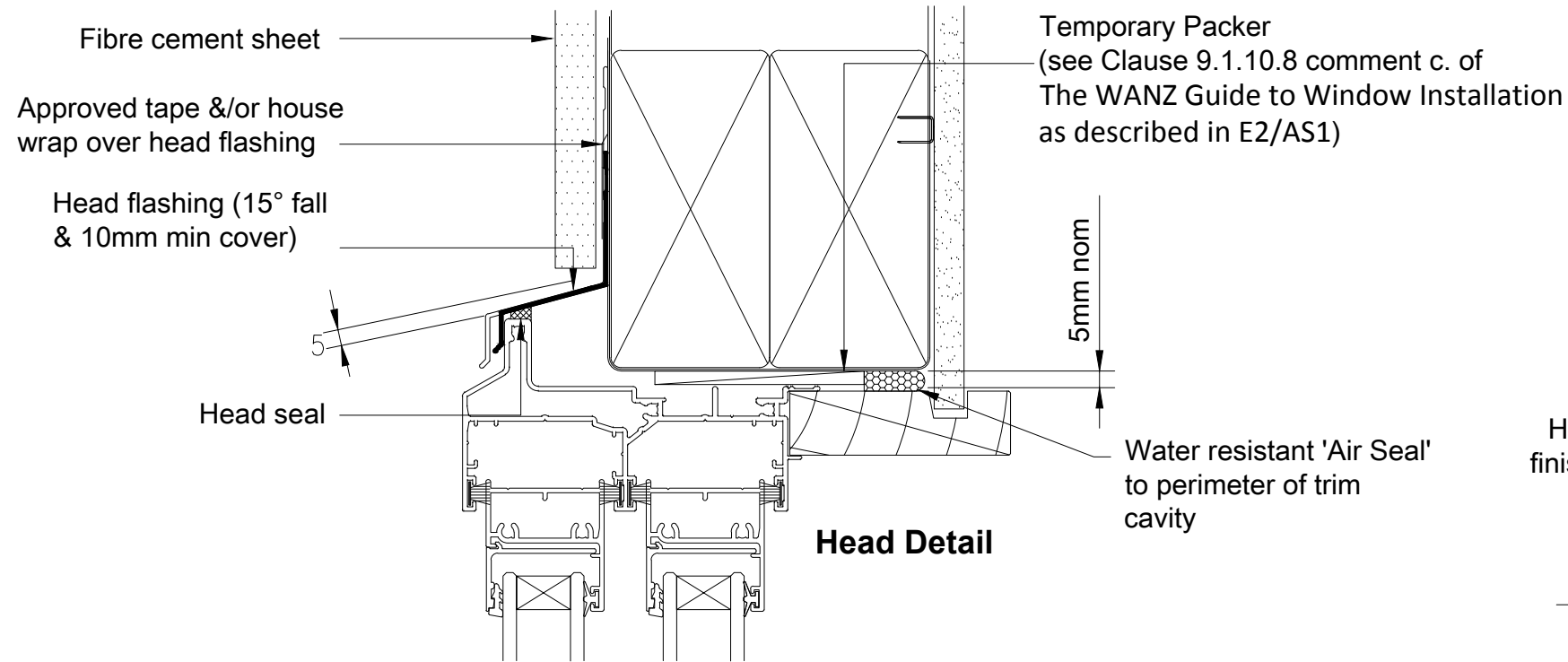
**WANZ WIS DIRECT FIX
 FIBRE CEMENT SHEET - STACKER DOOR**

Page : dfFCsstk

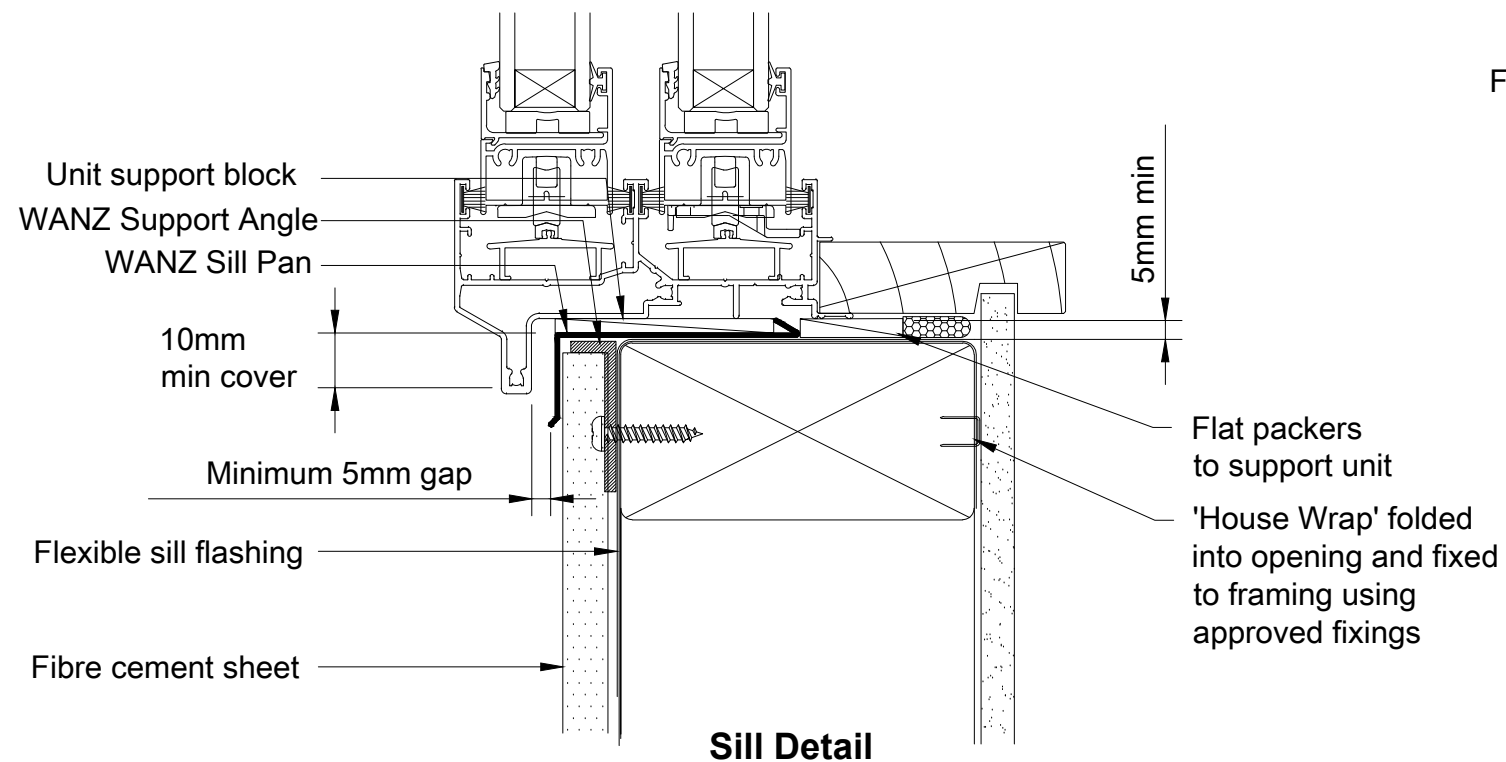
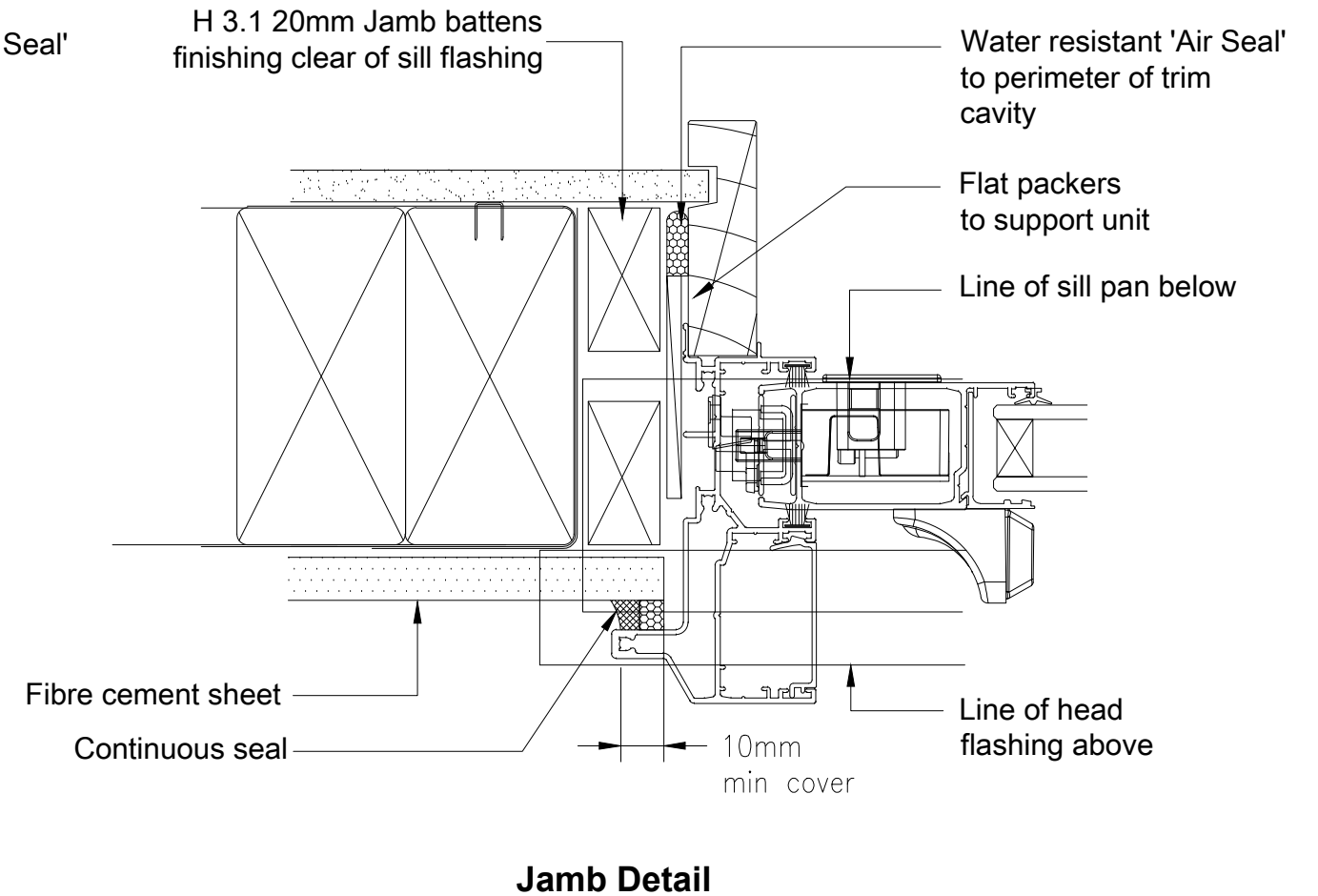
OMEGA Windows & Doors Ltd.
 36 Paraiti Road, Bell Block
 Private Bag 2007
 New Plymouth 4342
 TEL: 0800 500 141
 FAX: +64 6 755 9381
 www.omegawindows.co.nz



This document is intended as a guide only and is to be used in conjunction with The WANZ Guide to Window Installation as described in E2/AS1 Amendment 5 (see link below)
<http://www.wanz.org.nz/download/WANZ%20Guide%20to%20E2%20AS1%20Amd%206%20V1.3%20Dec%202014.pdf>



Note :
Jamb battens are fitted after all of the trim preparation has been completed, including flashing tape, sill tray flashing and end stops.
Jamb battens are to be full height.
If jamb battens do not span the width of the framing then position them to align with the inner and outer faces.



DATE:
07/04/2015

SCALE:
1:2 @ A3

ISSUE:
No: 002

**WANZ WIS DIRECT FIX
FIBRE CEMENT SHEET - SLIDING WINDOW**

Page : dfFCSsw

OMEGA Windows & Doors Ltd.
36 Paraiti Road, Bell Block
Private Bag 2007
New Plymouth 4342
TEL: 0800 500 141
FAX: +64 6 755 9381
www.omegawindows.co.nz

