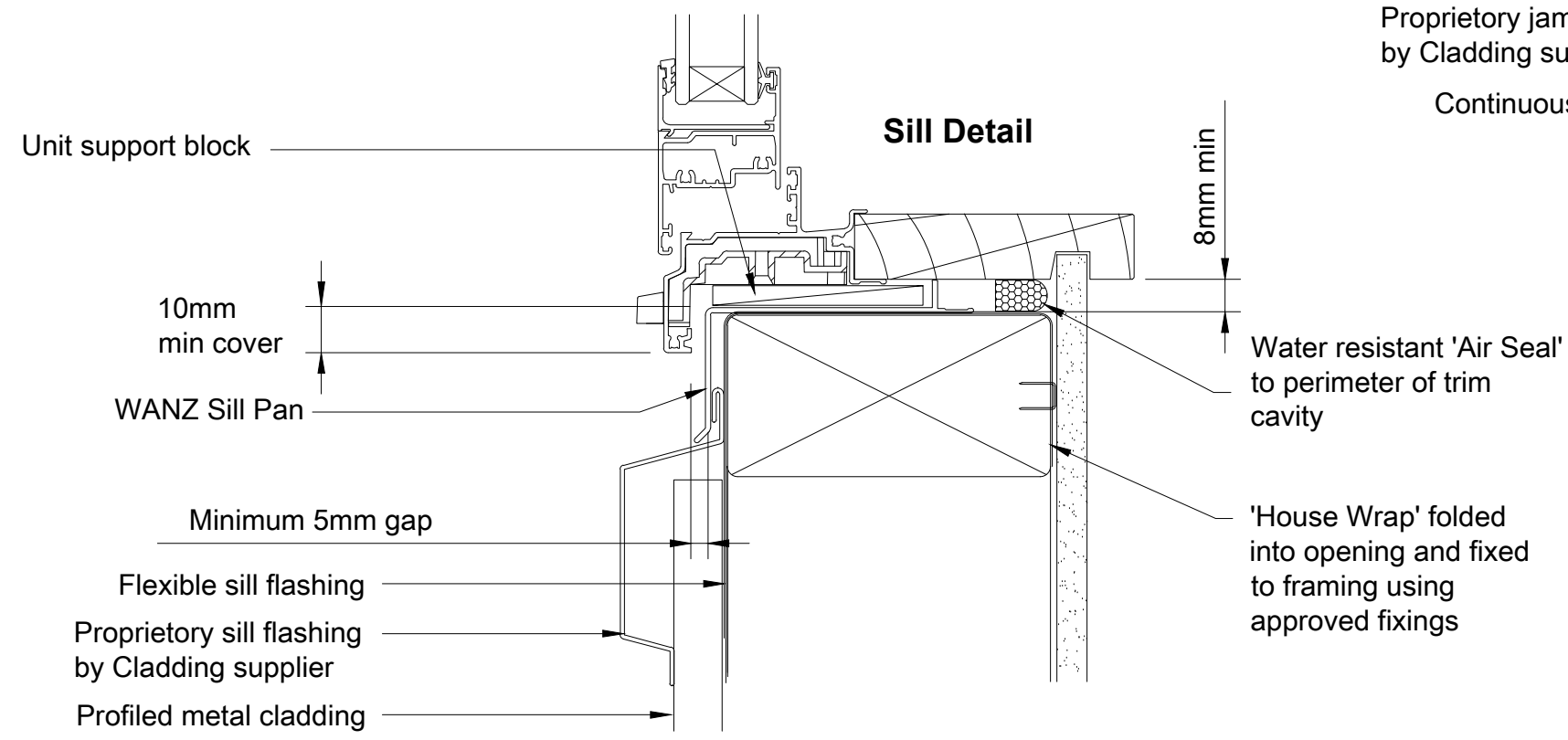
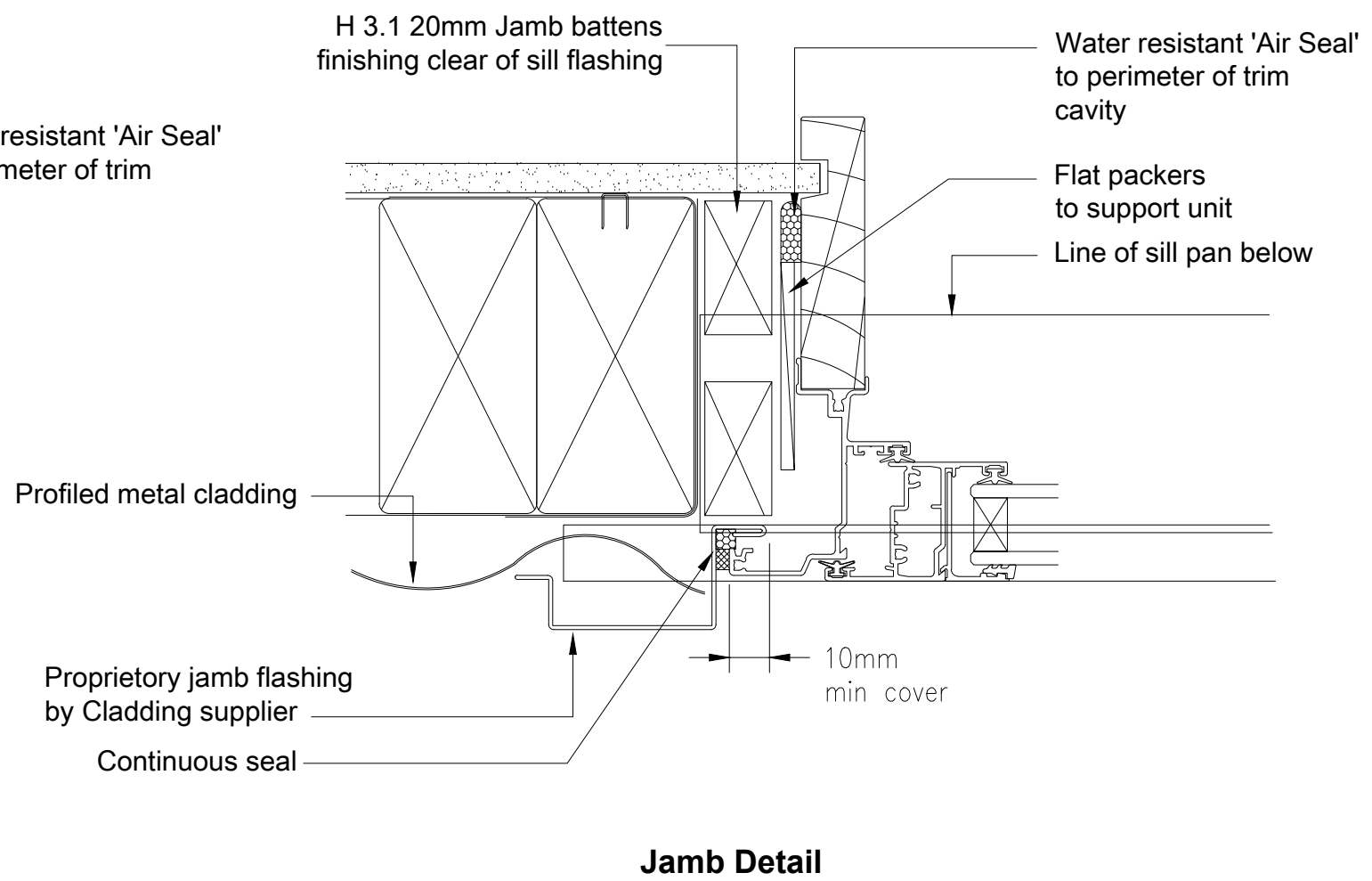
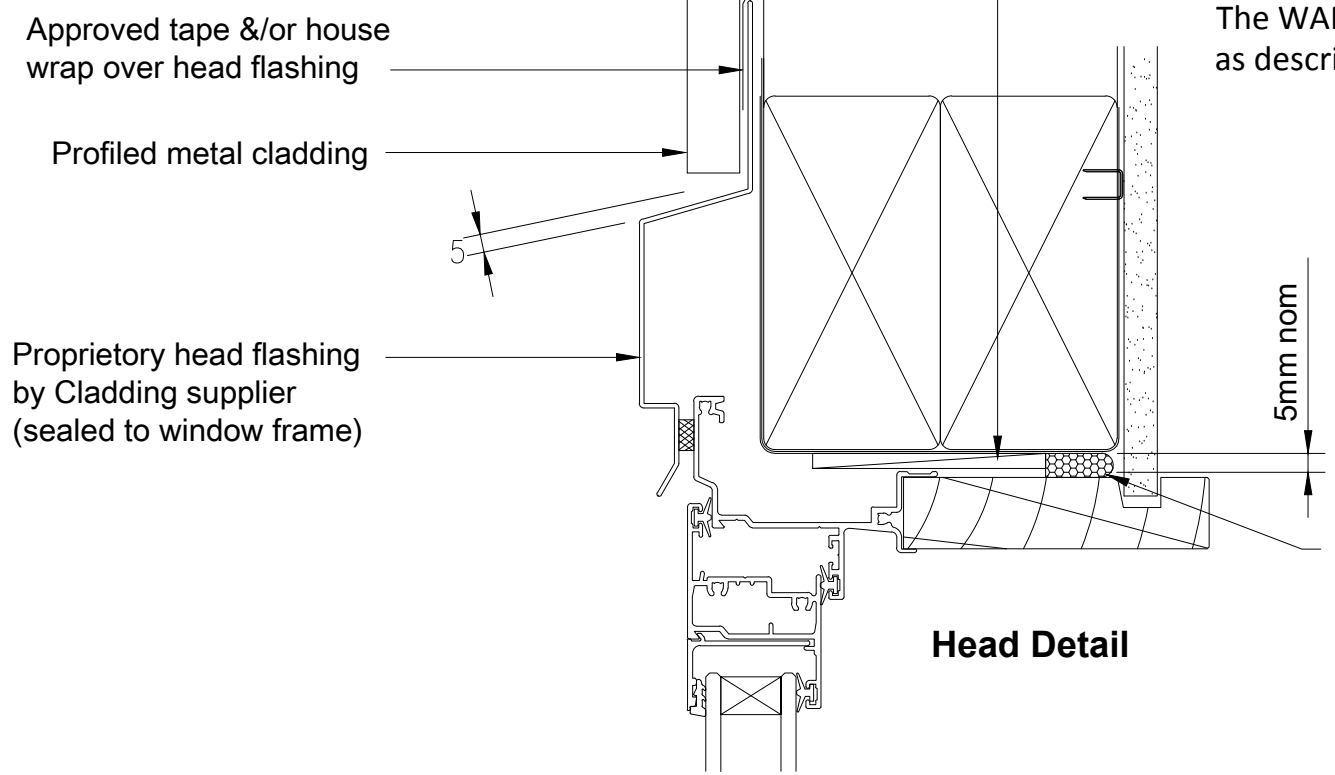


Temporary Packer  
 (see Clause 9.1.10.8 comment c. of  
 The WANZ Guide to Window Installation  
 as described in E2/AS1)

Note :  
 Jamb battens are fitted after all of the  
 trim preparation has been completed,  
 including flashing tape, sill tray flashing  
 and end stops.  
 Jamb battens are to be full height.  
 If jamb battens do not span  
 the width of the framing then position  
 them to align with the inner and outer faces.



DATE:  
07/04/2015

SCALE:  
1:2 @ A3

ISSUE:  
No: 002

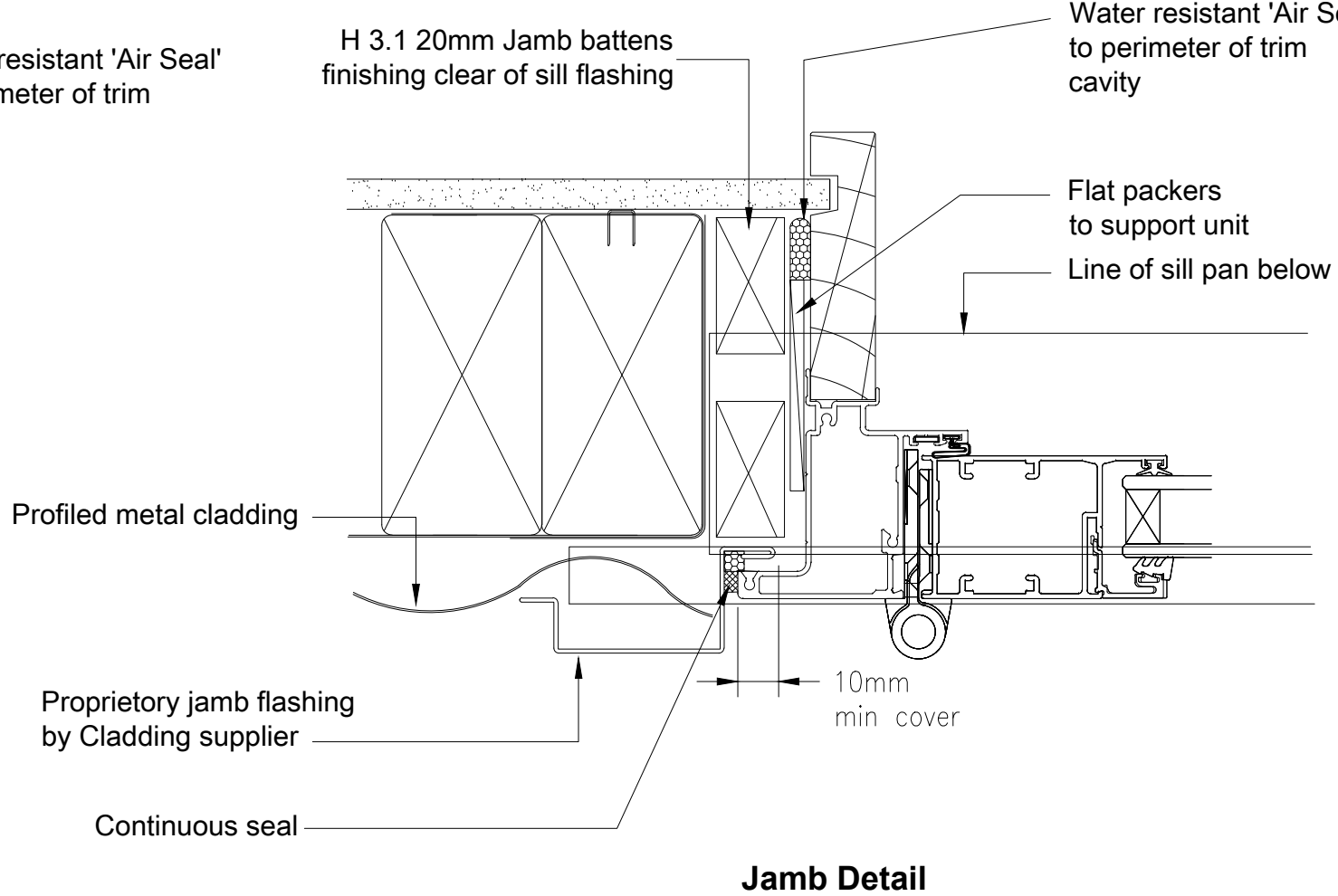
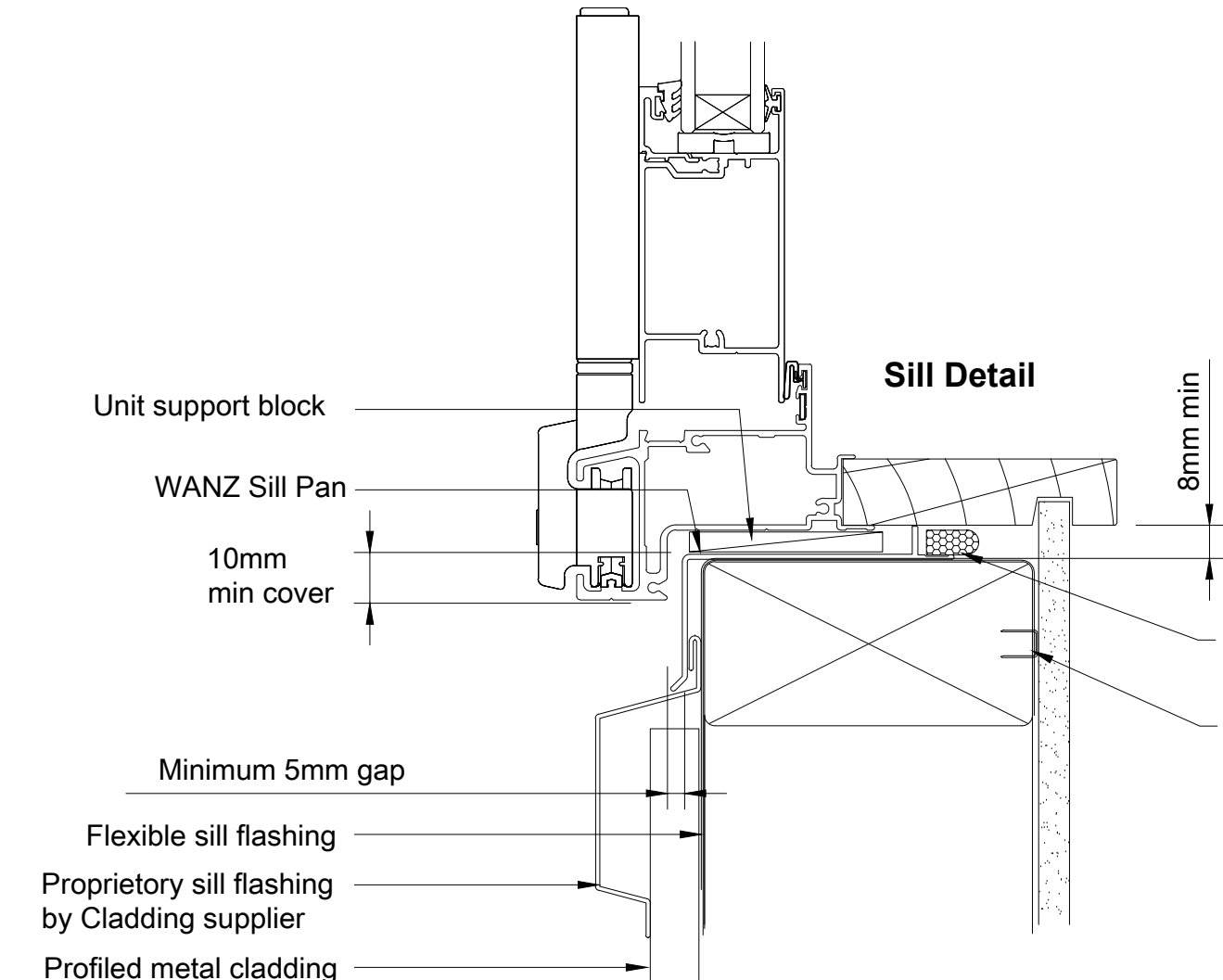
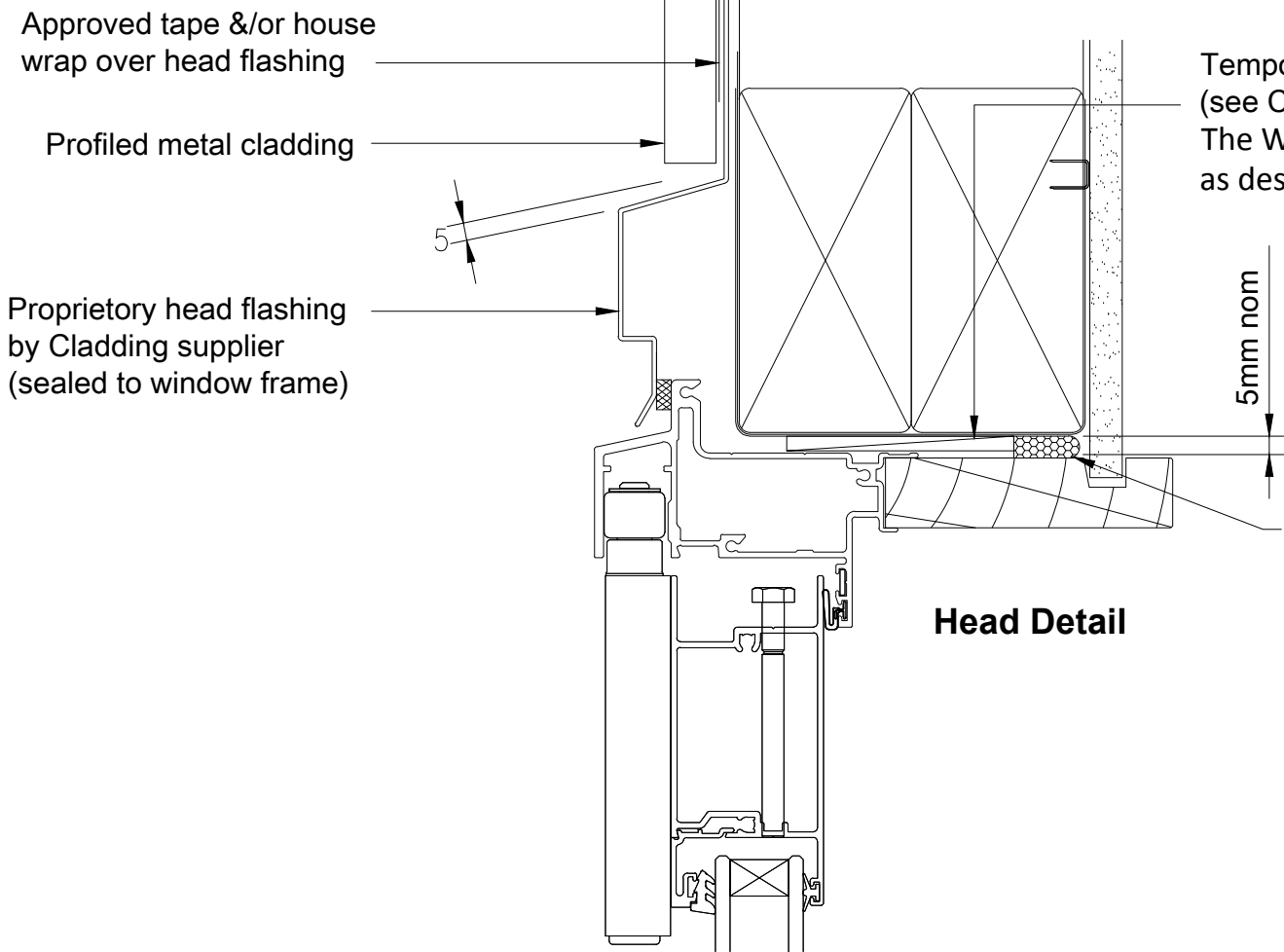
**WANZ WIS DIRECT FIX  
 V/PROFILE METAL - AWNING WINDOW**

Page : dfVPMaw

OMEGA Windows & Doors Ltd.  
 36 Paraiti Road, Bell Block  
 Private Bag 2007  
 New Plymouth 4342  
 TEL: 0800 500 141  
 FAX: +64 6 755 9381  
 www.omegawindows.co.nz



Note :  
 Jamb battens are fitted after all of the trim preparation has been completed, including flashing tape, sill tray flashing and end stops.  
 Jamb battens are to be full height.  
 If jamb battens do not span the width of the framing then position them to align with the inner and outer faces.



DATE:  
07/04/2015

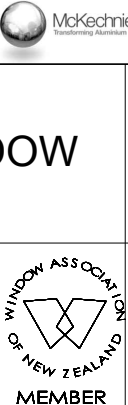
SCALE:  
1:2 @ A3

ISSUE:  
No: 002

**WANZ WIS DIRECT FIX  
 V/PROFILE METAL - BI FOLD WINDOW**

Page : dfVPMbw

OMEGA Windows & Doors Ltd.  
 36 Paraita Road, Bell Block  
 Private Bag 2007  
 New Plymouth 4342  
 TEL: 0800 500 141  
 FAX: +64 6 755 9381  
 www.omegawindows.co.nz



Approved tape &/or house wrap over head flashing

Profiled metal cladding

Proprietary head flashing by Cladding supplier (sealed to window frame)

Temporary Packer (see Clause 9.1.10.8 comment c. of The WANZ Guide to Window Installation as described in E2/AS1)

5mm nom

Water resistant 'Air Seal' to perimeter of trim cavity

### Head Detail

Reference Flashings:  
NZ Metal Roof and Wall Cladding Code of Practice  
NZMRM September 2003

Note :  
Jamb battens are fitted after all of the trim preparation has been completed, including flashing tape, sill tray flashing and end stops.  
Jamb battens are to be full height.  
If jamb battens do not span the width of the framing then position them to align with the inner and outer faces.

H 3.1 20mm Jamb battens finishing clear of sill flashing

Water resistant 'Air Seal' to perimeter of trim cavity

Flat packers to support unit

Line of sill pan below

Profiled metal cladding

Proprietary jamb flashing by Cladding supplier  
Continuous seal

10mm min cover

### Jamb Detail

Unit support block

Approved DPC or similar to sill platform & extend 200mm up the jambs

10mm min cover

WANZ Sill Pan

Minimum 5mm gap

Waterproofing

### Sill Detail



DATE:  
07/04/2015  
SCALE:  
1:2 @ A3  
ISSUE:  
No: 002

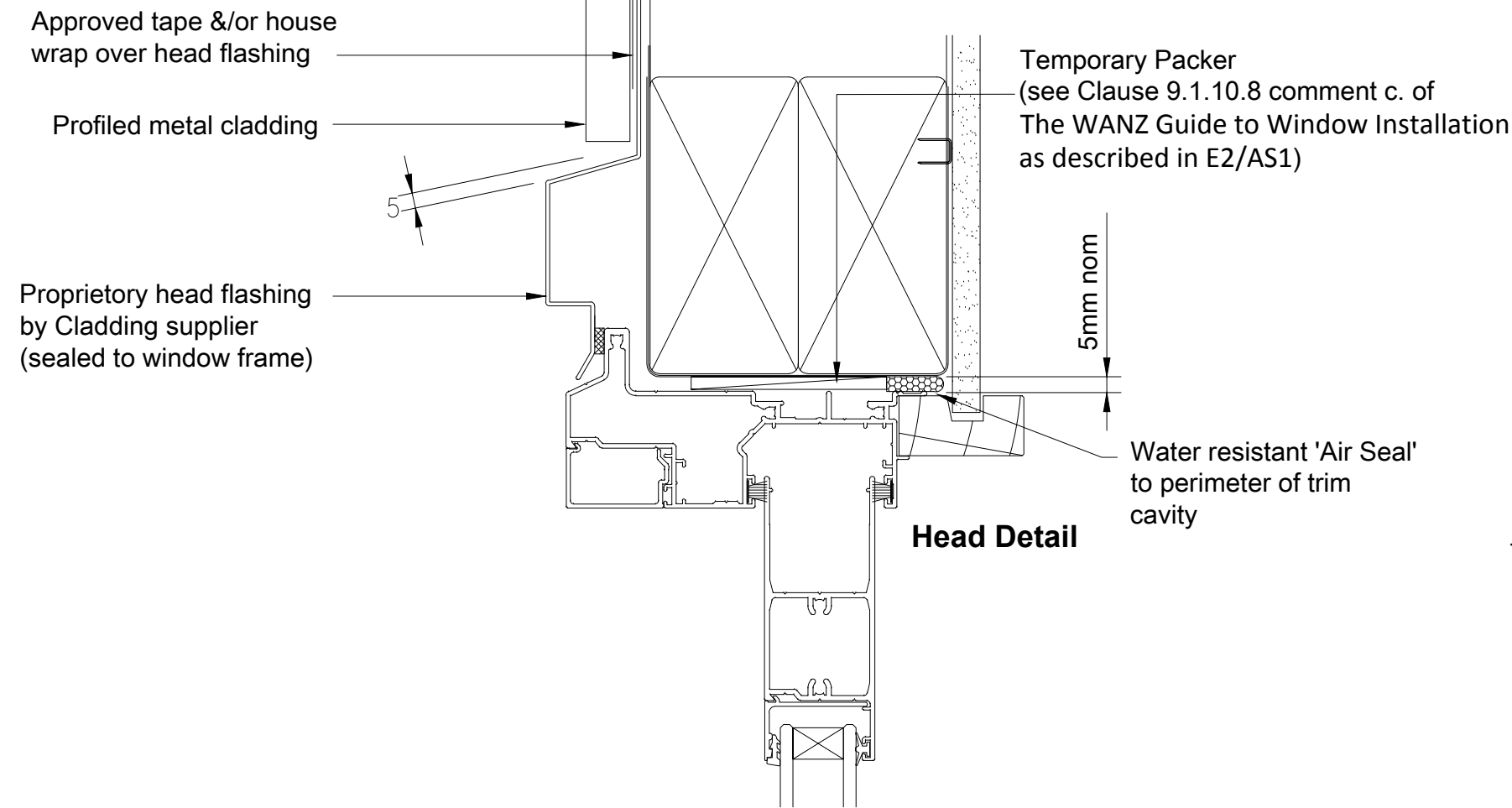
## WANZ WIS DIRECT FIX V/PROFILE METAL - HINGED DOOR

Page : dfVPMhd

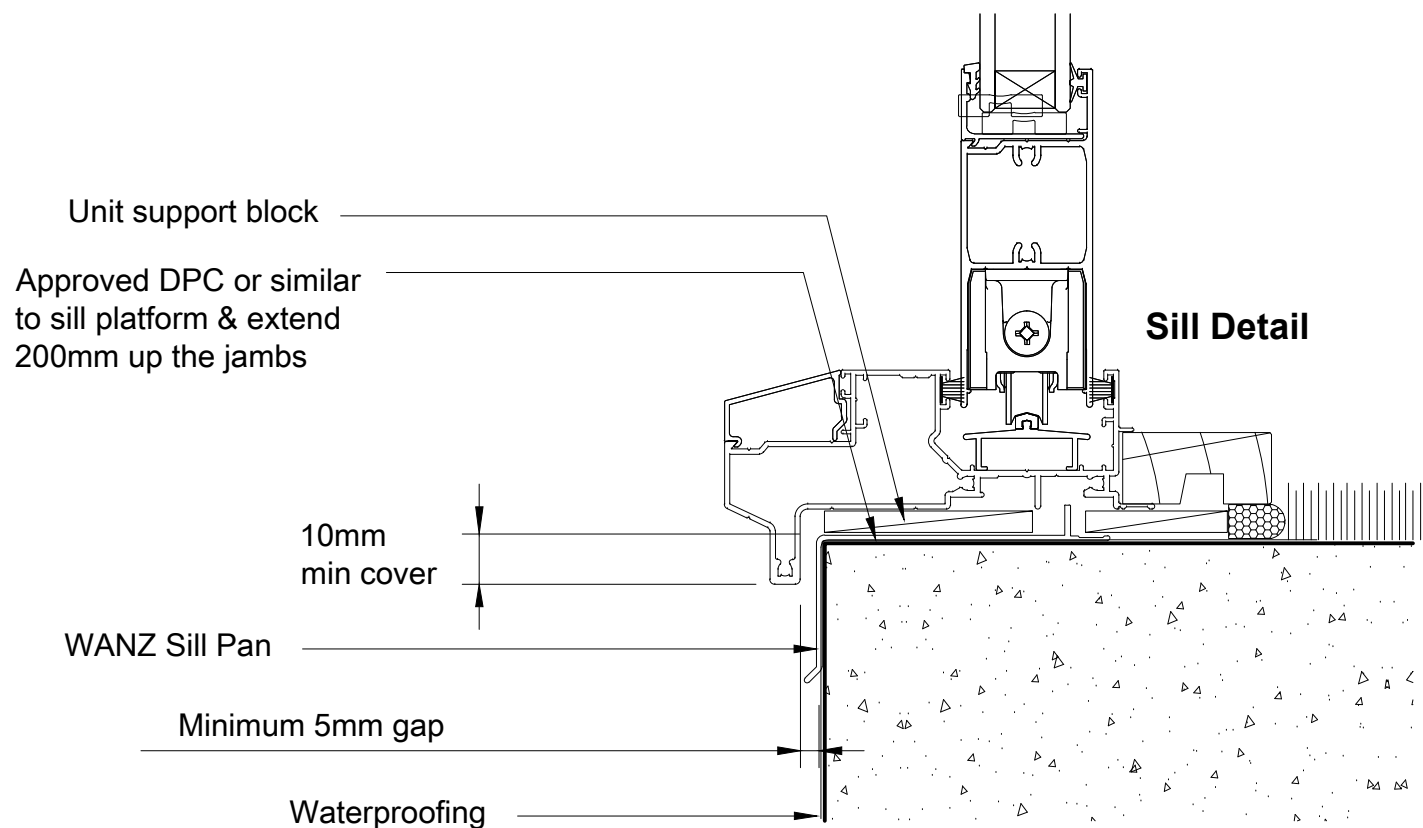
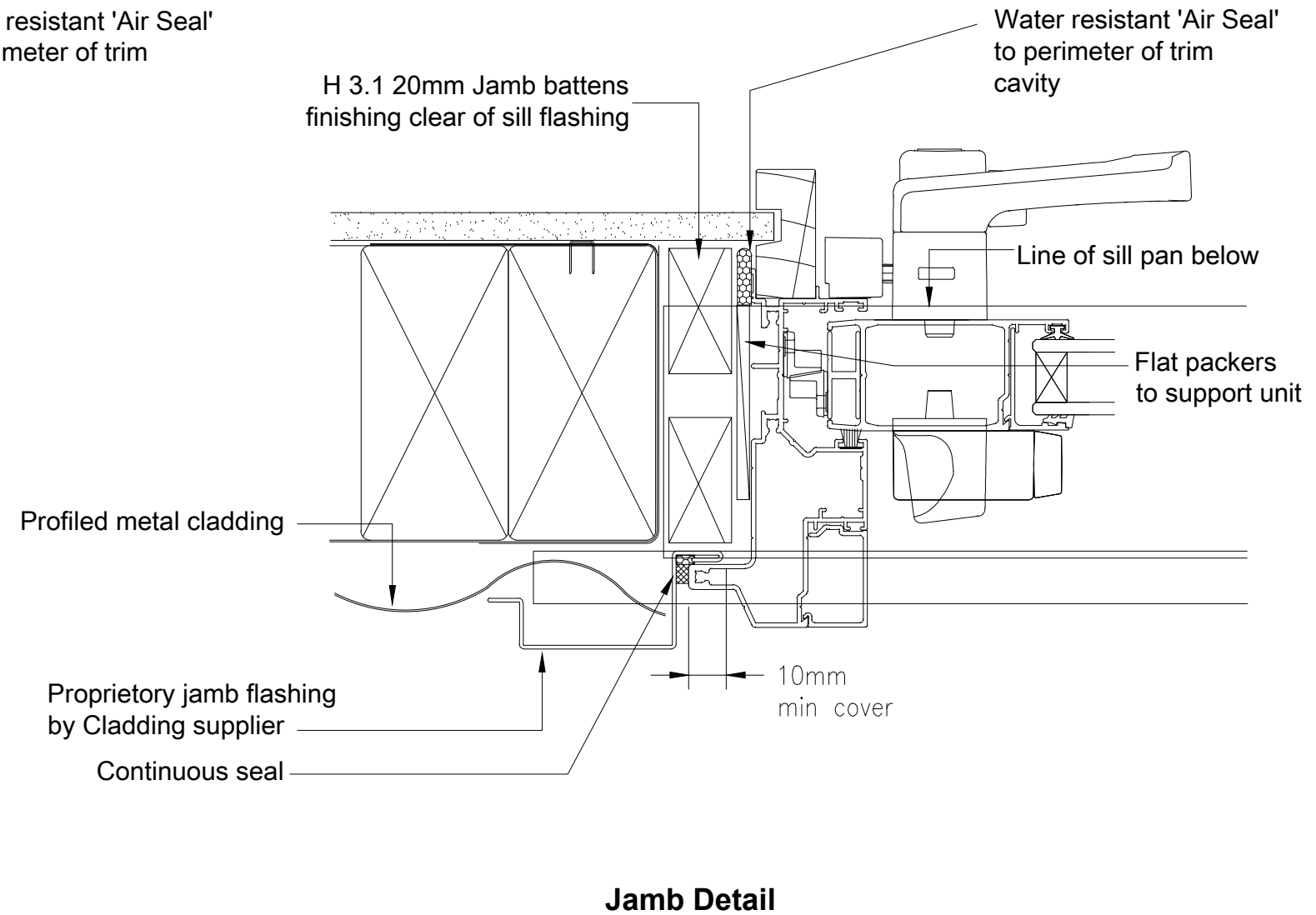
OMEGA Windows & Doors Ltd.  
36 Paraiti Road, Bell Block  
Private Bag 2007  
New Plymouth 4342  
TEL: 0800 500 141  
FAX: +64 6 755 9381  
www.omegawindows.co.nz



This document is intended as a guide only and is to be used in conjunction with The WANZ Guide to Window Installation as described in E2/AS1 Amendment 5 (see link below) <http://www.wanz.org.nz/download/WANZ%20Guide%20to%20E2%20AS1%20Amd%206%20V1.3%20Dec%202014.pdf>



Note :  
 Jamb battens are fitted after all of the trim preparation has been completed, including flashing tape, sill tray flashing and end stops.  
 Jamb battens are to be full height.  
 If jamb battens do not span the width of the framing then position them to align with the inner and outer faces.



DATE:  
07/04/2015

SCALE:  
1:2 @ A3

ISSUE:  
No: 002

**WANZ WIS DIRECT FIX  
 V/PROFILE METAL - SLIDING DOOR**

Page : dfVPMsld

OMEGA Windows & Doors Ltd.  
 36 Paraita Road, Bell Block  
 Private Bag 2007  
 New Plymouth 4342  
 TEL: 0800 500 141  
 FAX: +64 6 755 9381  
 www.omegawindows.co.nz



Approved tape &/or house wrap over head flashing

Profiled metal cladding

Proprietary head flashing by Cladding supplier (sealed to window frame)

Temporary Packer (see Clause 9.1.10.8 comment c. of The WANZ Guide to Window Installation as described in E2/AS1)

5mm nom

Water resistant 'Air Seal' to perimeter of trim cavity

### Head Detail

Note :

Jamb battens are fitted after all of the trim preparation has been completed, including flashing tape, sill tray flashing and end stops.

Jamb battens are to be full height. If jamb battens do not span the width of the framing then position them to align with the inner and outer faces.

Reference Flashings: NZ Metal Roof and Wall Cladding Code of Practice NZMRM September 2003

Water resistant 'Air Seal' to perimeter of trim cavity

Line of sill pan below

H 3.1 20mm Jamb battens finishing clear of sill flashing

Flat packers to support unit

Profiled metal cladding

Continuous seal

Proprietary jamb flashing by Cladding supplier

10mm min cover

### Jamb Detail

Unit support block

Approved DPC or similar to sill platform & extend 200mm up the jambs

### Sill Detail

10mm min cover

WANZ Sill Pan

Minimum 5mm gap

Waterproofing



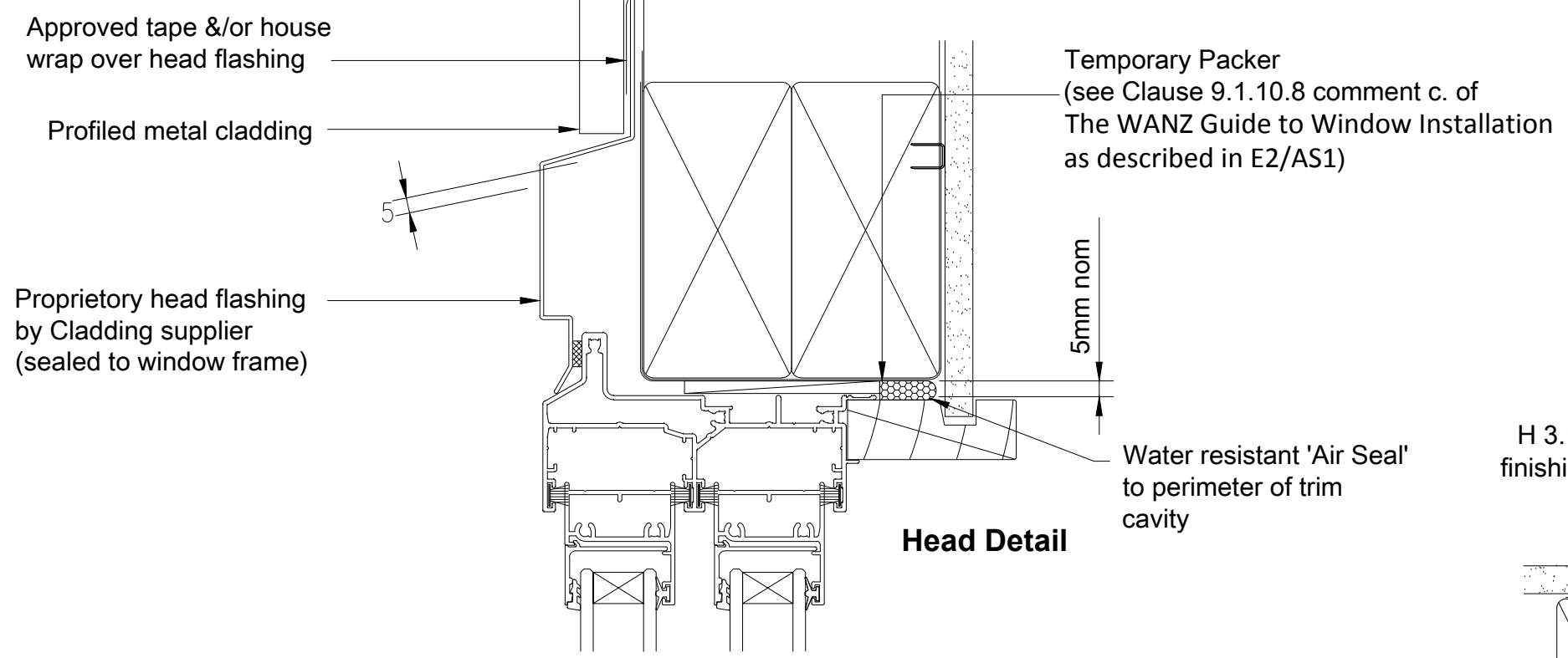
DATE: 07/04/2015  
SCALE: 1:2 @ A3  
ISSUE: No: 002

## WANZ WIS DIRECT FIX V/PROFILE METAL - STACKER DOOR

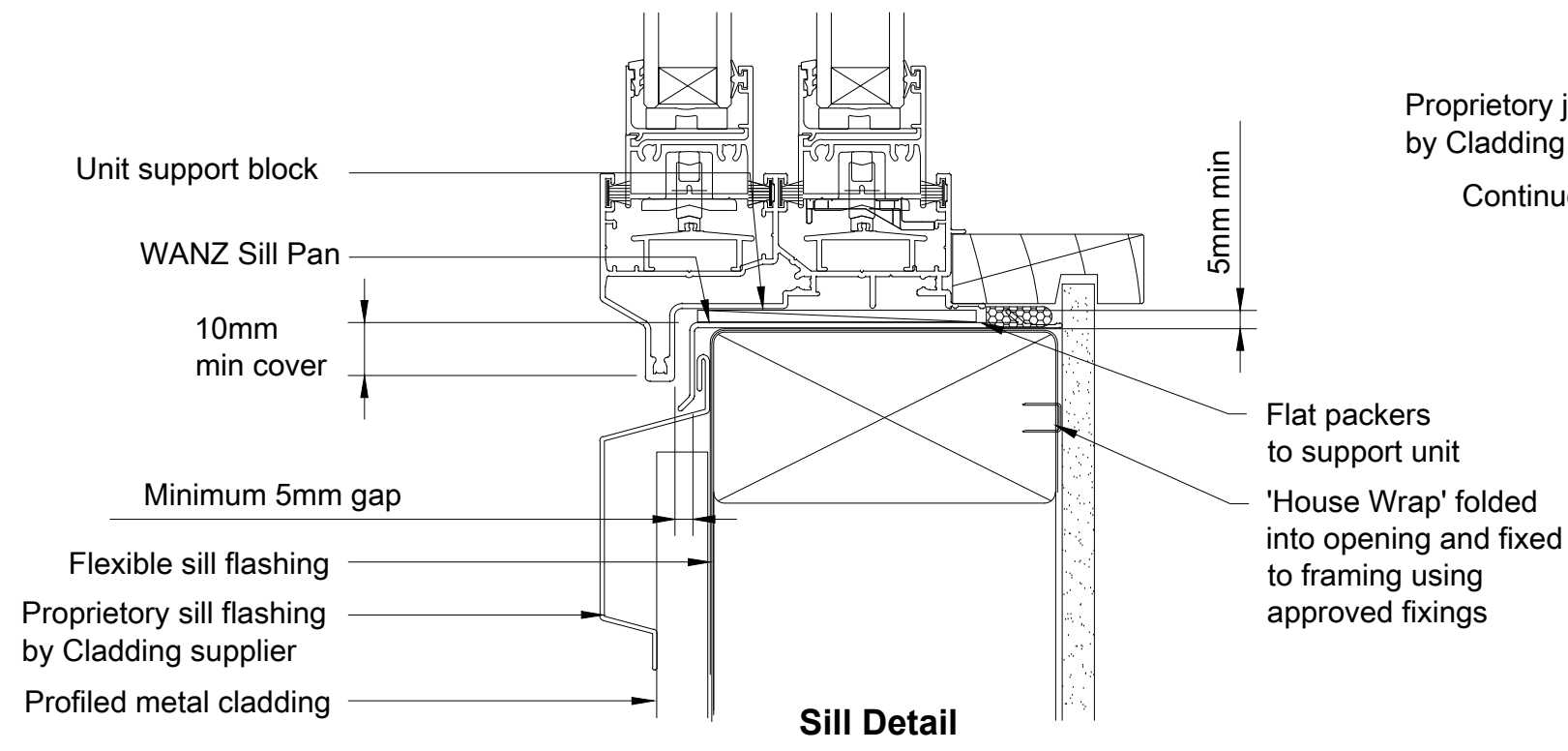
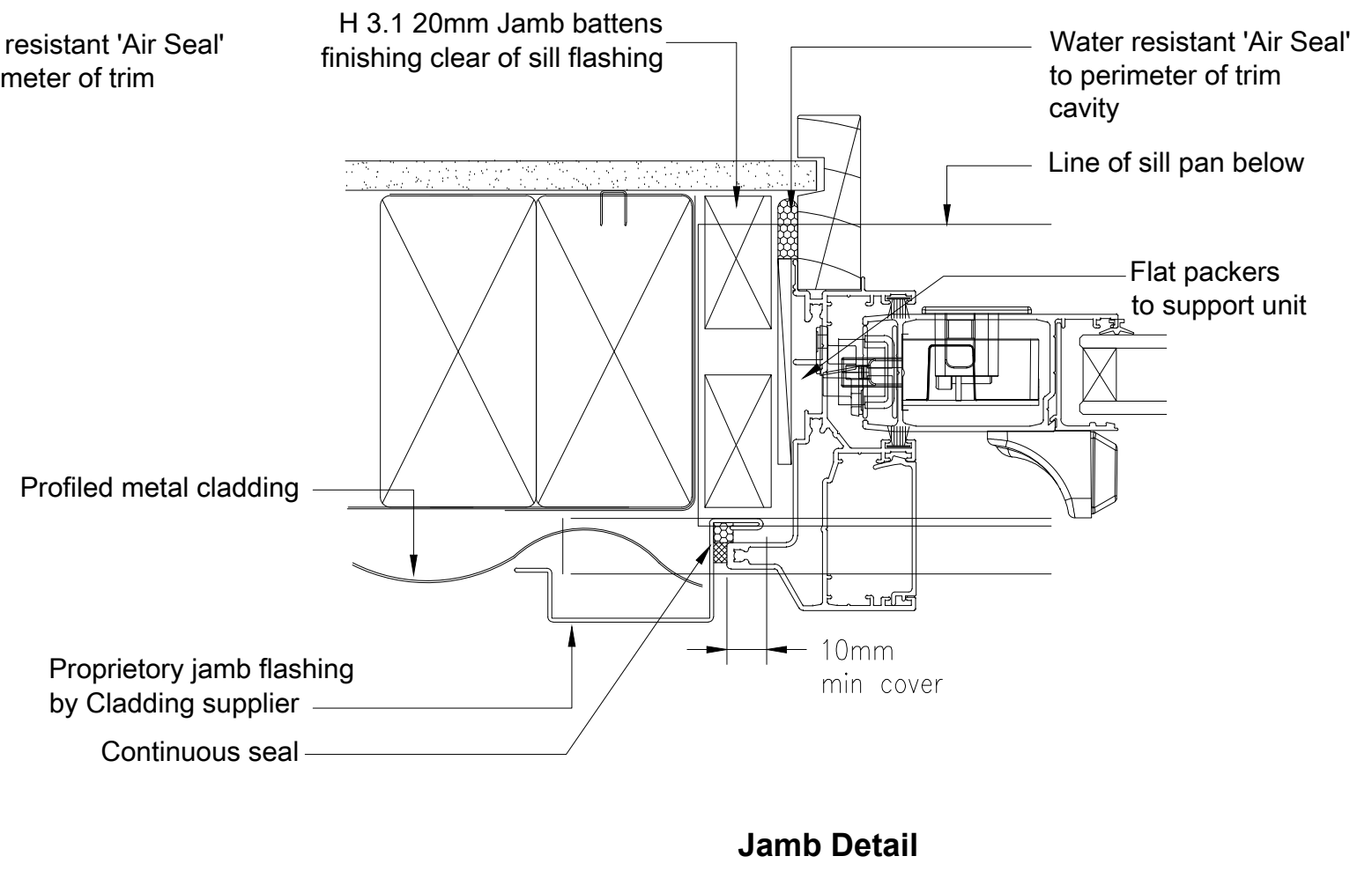
Page : dfVPMstk

OMEGA Windows & Doors Ltd.  
36 Paraita Road, Bell Block  
Private Bag 2007  
New Plymouth 4342  
TEL: 0800 500 141  
FAX: +64 6 755 9381  
www.omegawindows.co.nz





Note :  
 Jamb battens are fitted after all of the trim preparation has been completed, including flashing tape, sill tray flashing and end stops.  
 Jamb battens are to be full height.  
 If jamb battens do not span the width of the framing then position them to align with the inner and outer faces.



DATE:  
07/04/2015

SCALE:  
1:2 @ A3

ISSUE:  
No: 002

**WANZ WIS DIRECT FIX  
 V/PROFILE METAL - SLIDING WINDOW**

Page : dfVPMsw

OMEGA Windows & Doors Ltd.  
 36 Paraiti Road, Bell Block  
 Private Bag 2007  
 New Plymouth 4342  
 TEL: 0800 500 141  
 FAX: +64 6 755 9381  
 www.omegawindows.co.nz

